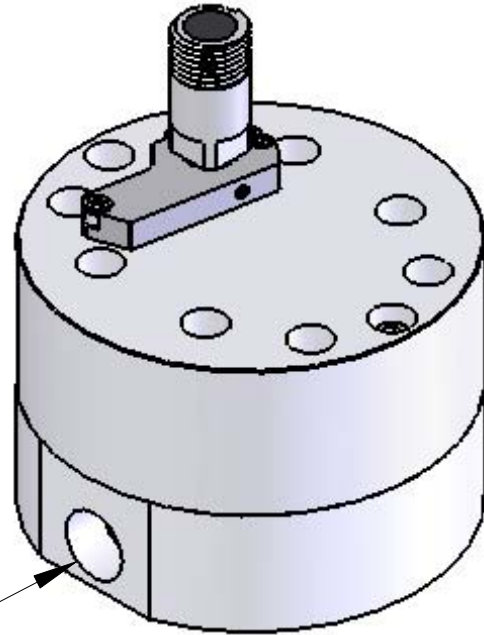
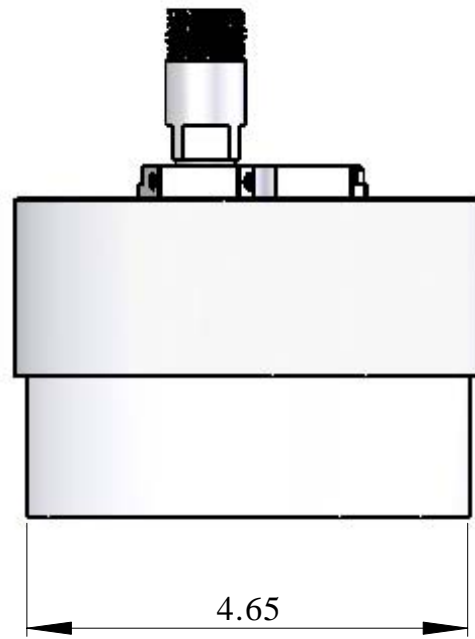
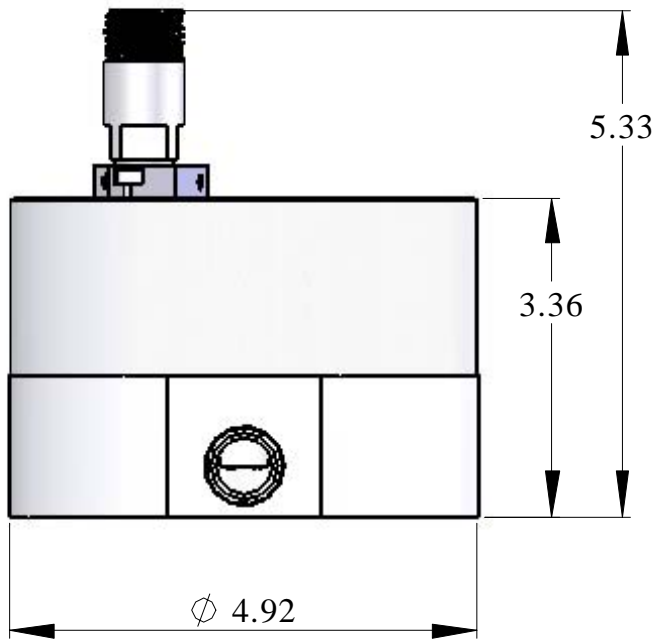


JVK-60 WITH IR-P SENSOR EXTERNAL DIMENSIONS



1/2" NPT PORTS



AW COMPANY USE ONLY

THIS PRINT, INCLUDING THE INFORMATION CONTAINED IN IT IS THE PROPERTY OF AW COMPANY. IT IS CONSIDERED PROPRIETARY IN NATURE AND MAY NOT BE USED OR DISCLOSED OUTSIDE OF AW COMPANY, EXCEPT UNDER PRIOR WRITTEN AGREEMENT. ANY MODIFICATIONS MADE TO OR COMMENTS WRITTEN ON THIS DRAWING BY UNAUTHORIZED PERSONNEL WILL VOID THIS DRAWING. ALL DIMENSIONS SHOWN ARE SUBJECT TO CHANGE WITHOUT NOTICE.



AW COMPANY
8809 INDUSTRIAL DR.
FRANKSVILLE, WI 53126
TEL. # (262) 884-9800
FAX. # (262) 884-9810

TITLE: JVK-60 + IR-P EXTERNAL DIMENSIONS

PART NUMBER: --

DRAWING NUMBER: JV6P899A REV: A

DRAWN BY: SCOTT HONSBERGER DATE: 8/24/2005

CHECKED BY: -- | PAGE: 1 OF 1 SCALE: 1:2

REV.	DESCRIPTION	DATE	BY