

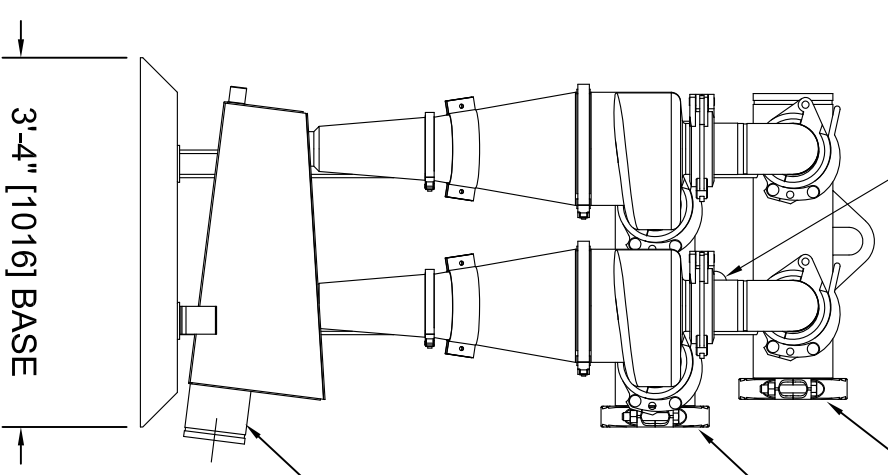
PRESSURE GAGE, MANIFOLD  
REQUIRES 75 FT OF HEAD  
PRESSURE IN PSI VARIES WITH  
MUD WEIGHT

8" RETURN LINE  
W/WICTAULIC END

8" FEED LINE  
W/WICTAULIC END

6" DISCHARGE LINE  
W/WICTAULIC END

APPROX WT = 775 LB



**STANDARD NOTES and TOLERANCES**

ROUND ALL SHARP EDGES.  
UNLESS OTHERWISE NOTED,  
ALL DIMENSIONS ARE IN INCHES.  
MACHINED DIMENSIONS:  
ANGULAR = X = .070°  
LINEAR = .002  
XXX = .004  
±1/16  
EJECTION DIMENSIONS:  
ALL PLATE 2 1/2" OR GREATER TO BE UT TESTED (A 578 SEE IP FOR  
ACCEPTANCE STANDARDS).  
ALL PIN DIMENSIONS TO BE 1/16 UN YIELD 95 KSI UNL. AND  
ALL FLETCH MEAS TO BE 1/16 FLETCH. UNLESS OTHERWISE NOTED.  
REMOVE ALL BIRDS AND SHARP EDGES.

ITEM NO.	QUAN.	DESCRIPTION

**PSI Process Solutions International**  
210322 Hubbsmith-Hornville Rd., Tomball, Texas 77375 (281) 320-7512

**GENERAL ARRANGEMENT**  
2-10 DESANDER

ORDER: PROJECT NAME: DATE: 2/22/05  
 QA/QC BY: DATE: 2/22/05  
 CHECKED BY: LG DATE: 2/22/05  
 APPROVAL: LG DATE: 2/22/05

PROJECT DESCRIPTION: GA10742 SCALE: NTS REV: 1

PROPRIETARY INFORMATION: THIS DOCUMENT CONTAINS PROCESS SOLUTIONS INT'L PROPRIETARY AND CONFIDENTIAL INFORMATION. IT IS THE PROPERTY OF PROCESS SOLUTIONS INT'L. IT MAY NOT BE REPRODUCED IN WHOLE OR PART OR DISCLOSED TO THIRD PARTIES WITHOUT THE PRIOR WRITTEN CONSENT OF PROCESS SOLUTIONS INT'L. THE DOCUMENT IS TO BE RETURNED TO PROCESS SOLUTIONS INT'L UPON COMPLETION OF THE USE FOR WHICH IT WAS LOANED.

NO.	DESCRIPTION
1	12/0/05
2	CHANGED DESIGN COMPLETELY