

SANITARY TURBINE FLOW METER (TA3 SERIES)

Technical Specifications

MULTIPLE FLOW RANGES
0.6 to 400 GPM (gal/min)

PRESSURE*
Working pressure up to 1,000 psi

ACCURACY
± 0.5% of reading or better

REPEATABILITY
± 0.1%

TURN DOWN RATIO
10:1

TEMPERATURE*
Fluid temperature up to 350°F

END CONNECTIONS
NEMA 6 Connector

MATERIALS OF CONSTRUCTION

- Body & Rotor Shaft: 316L Stainless Steel
- Rotor: Nickel Plated Stainless Steel
- Bushings: Nickel Binder Tungsten Carbide

*Sanitary Clamp Rated at 250 psi at 300°F



Benefits

DURABLE AND COST-EFFECTIVE

This meter's rugged 316 stainless steel construction provides a durable and economic flow metering solution to sanitary environments.

EXCELLENT ACCURACY

The TA3 sanitary turbine flow meter can achieve a flow accuracy up to 0.5% of reading and is repeatable up to 0.1%.

FEDERAL COMPLIANCE

The most up-to-date polishing technology is utilized during manufacturing on all internal

components, and all materials comply with FDA requirements.

FLEXIBLE

This meter is available in nine different flow ranges, covering flows from 0.6 GPM up to 400 GPM.

VERSATILE

This flow meter provides local flow rate and volume totalization and will interface with most displays, controllers and computers.

SANITARY TURBINE FLOW METER (TA3 SERIES)

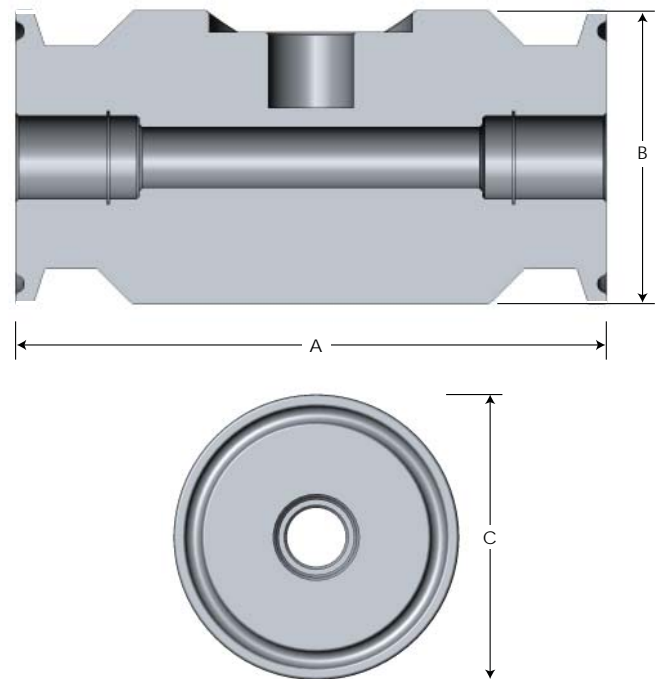
Meter Specifications

Part Number	Range (gal/min)	K-Factor * (Pulses/ gal)	Meter Size	Clamp Size	Weight (lbs)
TA3-75-375	0.6 to 3	20,000	3/8"	3/4"	1
TA3-75-500	0.75 to 7.5	13,000	1/2"	3/4"	1
TA3-75-750	2 to 15	2,750	1/2"	3/4"	1
TA3-150-500	0.75 to 7.5	13,000	1/2"	1-1/2"	3
TA3-150-750	2 to 15	2,750	1/2"	1-1/2"	3
TA3-150-875	3 to 30	2,600	7/8"	1-1/2"	3
TA3-150-100	5 to 50	870	1"	1-1/2"	3
TA3-150-150	15 to 180	330	1-1/2"	1-1/2"	5.5
TA3-250-200	40 to 400	50	2"	2-1/2"	8.5

* K-Factors given are averaged. A calibration sheet accompanies every meter sold.

Meter Dimensions

Part Number	A	B	C
TA3-75-375	3"	1.5"	1"
TA3-75-500	3"	1.5"	1"
TA3-75-750	3"	1.5"	1"
TA3-150-500	4"	2.0"	2"
TA3-150-750	4"	2.0"	2"
TA3-150-875	4"	2.0"	2"
TA3-150-100	4"	2.0"	2"
TA3-150-150	6.25"	2.3"	2"
TA3-250-200	6.5"	2.3"	3"



Electronics

TA3 meters include a Nema 6 Rated pulse sensor and a 12-foot cable.

Meter Mounted Displays:

Model	Sensor Type	Temp (°F)
RT-Ex 10R	Battery-Powered Monitor	0 to 140
RT-Ex 15D	15-24 VDC Powered Monitor	0 to 140

Contact Sabre Turbine Meters:

toll-free: 800-850-6110

fax: 262-884-9810

email: sabreinfo@aw-lake.com

website: www.sabreflow.com

* For additional sensors available, contact factory.