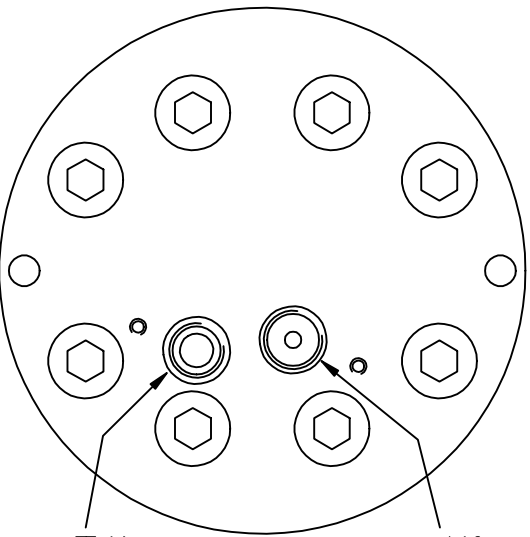
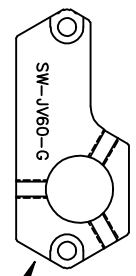
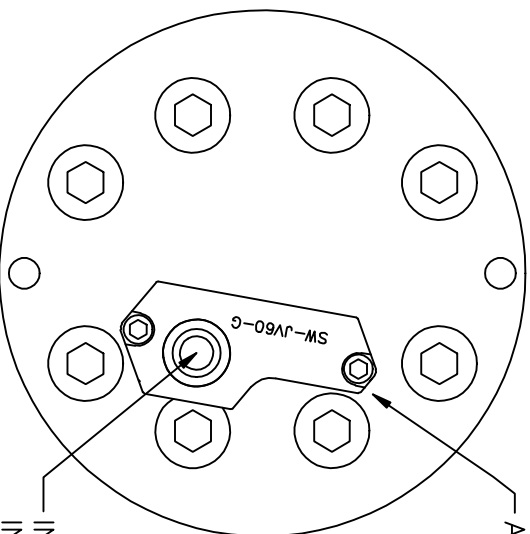


# INSTALLATION OF SW-JV60-G SWIVEL FITTING

TOP VIEW  
JVX-60xG



TOP VIEW  
JVX-60xG



SW-JV60-G  
SWIVEL FITTING  
FOR SWIVEL-STYLE  
SENSORS & DISPLAYS

INSTALL SENSOR  
IN FLAT-BOTTOMED  
SENSOR WELL. MAKE  
SURE SENSOR NOSE  
IS COMPLETELY  
SEATED AND LIGHTLY  
TIGHTEN SET-SCREWS

TOLERANCES UNLESS NOTED

ENGLISH

AW-LAKE COMPANY USE ONLY

.XXXX	±0.0005	FRACTION	±1/64
.XXX	±0.001	ANGLE	±1/2°
.XX	±0.005	MAX.	64

THIS PRINT, INCLUDING THE INFORMATION CONTAINED IN IT, IS THE PROPERTY OF AW-LAKE COMPANY. IT IS CONSIDERED PROPRIETARY IN NATURE AND MAY NOT BE USED OR REPRODUCED IN ANY MANNER OR BY ANY MEANS WITHOUT THE WRITTEN AGREEMENT OF AW-LAKE COMPANY. ANY COMMENTS WRITTEN ON THIS DRAWING BY UNAUTHORIZED PERSONNEL WILL VOID THIS DRAWING. ALL DIMENSIONS SHOWN ARE SUBJECT TO CHANGE WITHOUT NOTICE.



8809 INDUSTRIAL DRIVE  
FRANKSVILLE, WI 53126  
TEL. # (262) 884-9800  
FAX. # (262) 884-9810

TITLE: SW-JV60-G SWIVEL FITTING INSTALLATION  
DRAWING NUMBER: SW6G800B PART NUMBER: BZ15220A  
DATE: 09-01-05 REV. B DRAWN BY: FRED JACOBSON  
CHECKED BY: F.J. PAGE 1 OF 1 SCALE: NONE

B	REVISED COMPANY LOGO	12-07/11	JP
A	INITIAL RELEASE	99	SW
REV.	DESCRIPTION OF CHANGE	DATE	BY