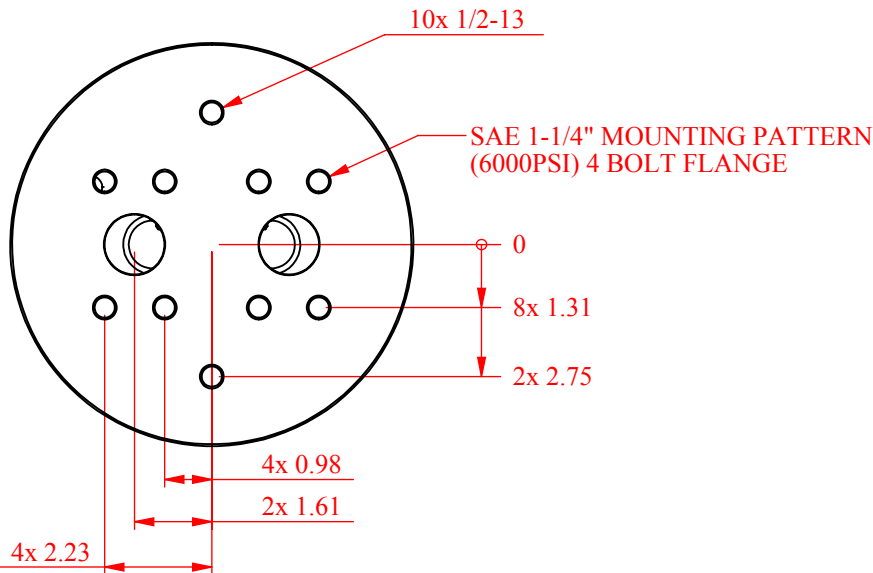
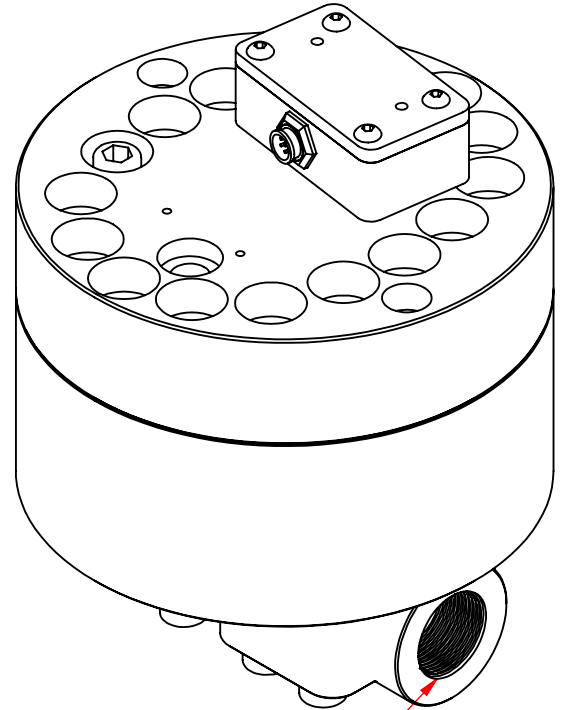
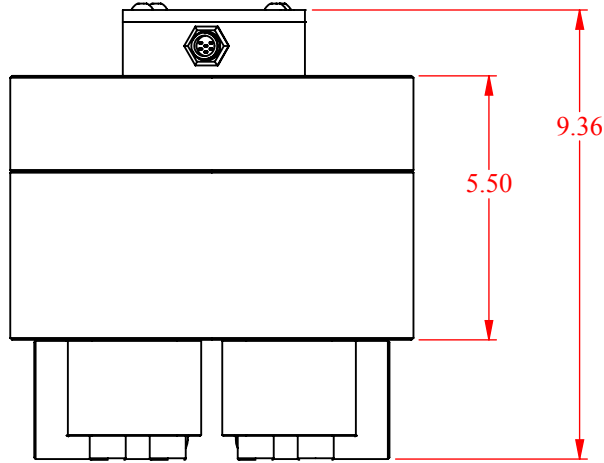
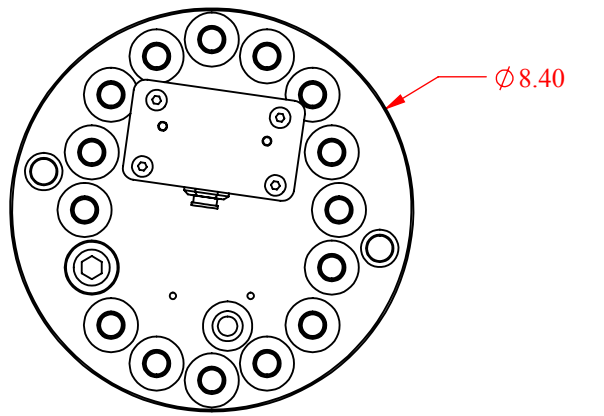


# JVx-80KL FLOWMETER SHOWN W/ FLANGE AND QUAD-4 SENSOR



1-1/4" NPT

D	UPDATED DRAWING TEMPLATE	1/7/2009	SAH
REV.	DESCRIPTION	DATE	APPROVED
REVISIONS			
AW-LAKE COMPANY USE ONLY	TOLERANCES UNLESS NOTED ENGLISH	PROJECT NAME: JVX-80KL	
		PART DESCRIPTION: JVX-80KL W/ QUAD-4 SENSOR	
<p>THIS PRINT, INCLUDING THE INFORMATION CONTAINED IN IT IS THE PROPERTY OF AW-LAKE COMPANY. IT IS CONSIDERED PROPRIETARY IN NATURE AND MAY NOT BE USED OR DISCLOSED OUTSIDE OF AW-LAKE COMPANY, EXCEPT UNDER PRIOR WRITTEN AGREEMENT. ANY MODIFICATIONS MADE TO OR COMMENTS WRITTEN ON THIS DRAWING BY UNAUTHORIZED PERSONNEL WILL VOID THIS DRAWING. ALL DIMENSIONS SHOWN ARE SUBJECT TO CHANGE WITHOUT NOTICE.</p>		MATERIAL:	
		FINISH:	
		HARDENING:	
		DRAWING NUMBER: JV80800D	REV: D
		PART NUMBER:	DATE: 01/07/09
		DRAWN BY: SHONSBERGER	
		PAGE: 1 OF 2	SCALE: 1:5



**AW-LAKE COMPANY**  
A TASI GROUP COMPANY

8809 INDUSTRIAL DR.  
FRANKSVILLE, WI  
53126  
TEL. # (262) 884-9800  
FAX. # (262) 884-9810