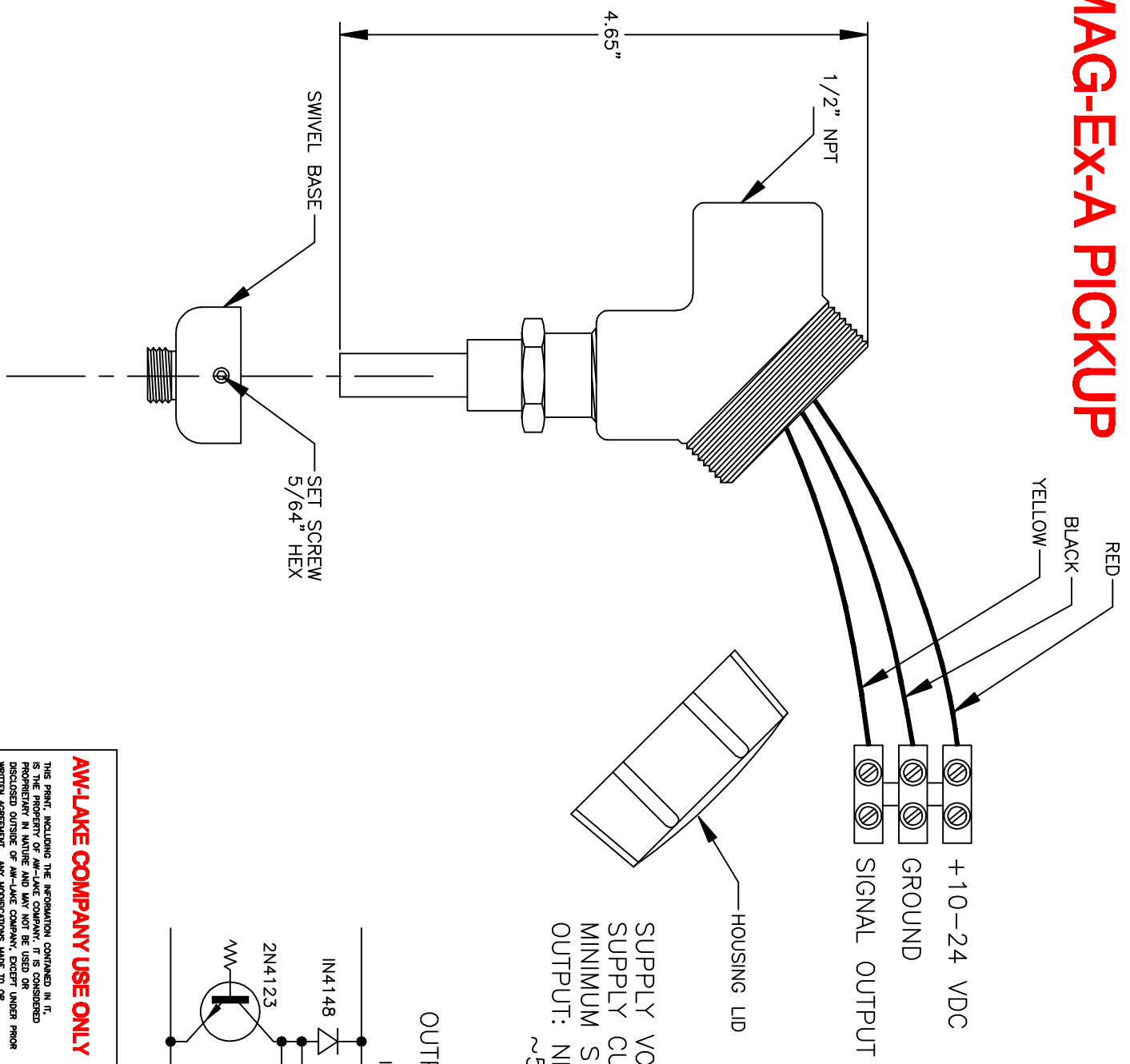
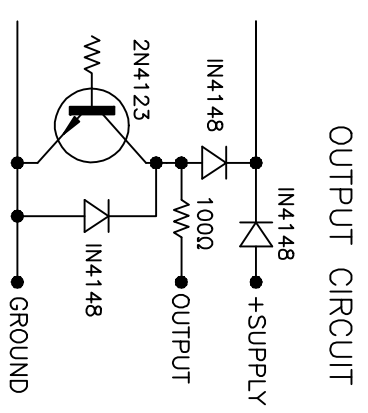


MAG-EX-A PICKUP



SUPPLY VOLTAGE: 10-24 VOLT DC
 SUPPLY CURRENT: 5mA
 MINIMUM SIGNAL: 2 Hz
 OUTPUT: NPN SINKING
 ~50% DUTY CYCLE SQUARE WAVE



AW-LAKE COMPANY USE ONLY

THIS PRINT, INCLUDING THE INFORMATION CONTAINED IN IT, IS THE PROPERTY OF AW-LAKE COMPANY. IT IS CONSIDERED PROPRIETARY IN NATURE AND MAY NOT BE USED OR DISCLOSED OUTSIDE OF AW-LAKE COMPANY, EXCEPT UNDER PRIOR WRITTEN AGREEMENT. ANY MODIFICATIONS MADE TO OR COMMENTS WRITTEN ON THIS DRAWING BY UNAUTHORIZED PERSONNEL WILL VOID THIS DRAWING.

		AW-LAKE COMPANY 8808 INDUSTRIAL DRIVE TWIN FALLS, ID 83420 TEL: (202) 884-3580 FAX: (202) 884-9810	
TITLE: MAG-EX-A PICKUP		PART NUMBER: AP04375A	
DRAWING NUMBER: MAGE300E		DATE: 12-23-99	
REV: D1		SCALE: NONE	
DRAWN BY: SHANE WILSON		CHECKED BY: C.H.	
PAGE: 1		OF: 1	