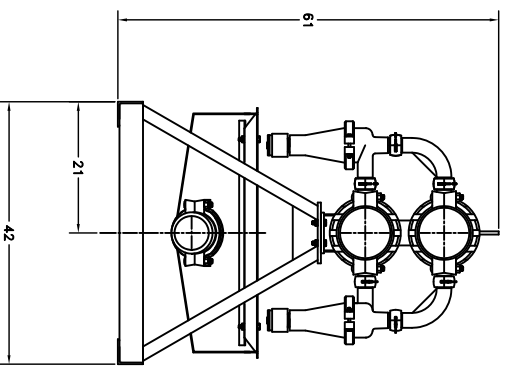
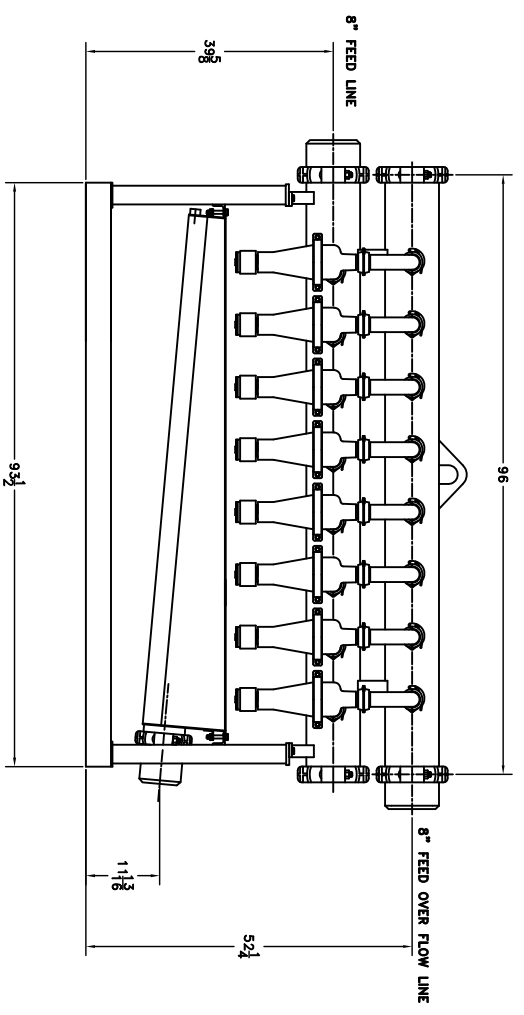
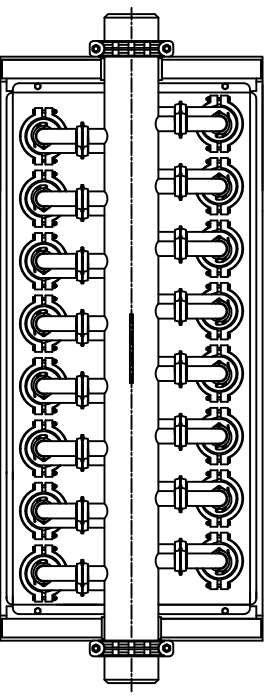


ITEM NO.	QUAN.	DESCRIPTION



STANDARD NOTES AND TOLERANCES

NOTE ALL DIMENSIONS UNLESS OTHERWISE SPECIFIED ARE IN INCHES.

UNLESS OTHERWISE SPECIFIED, ALL DIMENSIONS ARE TO BE HIDDEN (A) UNLESS OTHERWISE SPECIFIED.

FINISHES: UNLESS OTHERWISE SPECIFIED, ALL DIMENSIONS ARE TO BE HIDDEN (A) UNLESS OTHERWISE SPECIFIED.

FINISHES: UNLESS OTHERWISE SPECIFIED, ALL DIMENSIONS ARE TO BE HIDDEN (A) UNLESS OTHERWISE SPECIFIED.

FINISHES: UNLESS OTHERWISE SPECIFIED, ALL DIMENSIONS ARE TO BE HIDDEN (A) UNLESS OTHERWISE SPECIFIED.

NO.	DESCRIPTION	DATE	BY
1	DESIGNED		
2	CHANGED		
3	DESIGN COMPLETE		

ORDER	PROJECT NAME	DATE	BY

PSI Process Solutions International
 20221 Bishopville Rd., Towson, MD 21286
 (410) 286-7375 (201) 220-9512

GENERAL ARRANGEMENT
 16-4 DESILTER

PROJECT DESCRIPTION: GA10741
 SCALE: NTS
 SHEET: 1