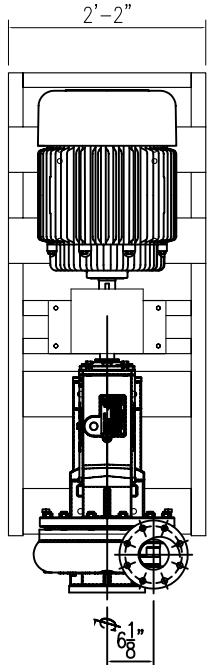
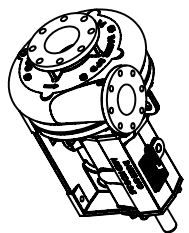


CP5X4X14324T\_326T 1

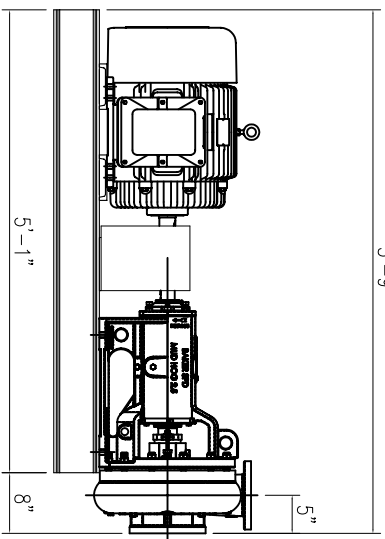
ITEM NO.	QUANTITY	DESCRIPTION	LENGTH FT.	IN.	WT.
1					



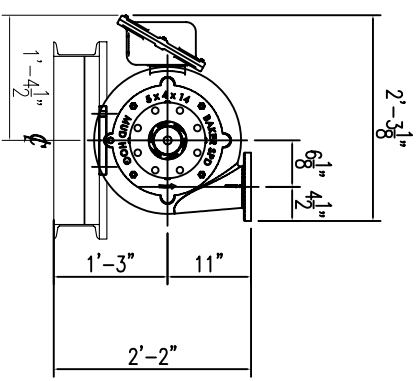
PLAN VIEW  
1 1/2" = 1'-0"



ISO METRIC VIEW (PUMP ONLY)  
1 1/2" = 1'-0"



ELEVATION  
1 1/2" = 1'-0"



END VIEW  
1 1/2" = 1'-0"

CP5X4X14324T\_326T 1

CP5X4X14324T\_326T 1

**STANDARD NOTES and TOLERANCES**

UNLESS OTHERWISE SPECIFIED, ALL DIMENSIONS ARE TO BE GIVEN IN DECIMAL INCHES. DIMENSIONS ARE TO BE GIVEN IN DECIMAL INCHES UNLESS OTHERWISE SPECIFIED.

FINISHES: UNLESS OTHERWISE SPECIFIED, ALL DIMENSIONS ARE TO BE GIVEN IN DECIMAL INCHES. DIMENSIONS ARE TO BE GIVEN IN DECIMAL INCHES UNLESS OTHERWISE SPECIFIED.

DATE: 05/08/04

BY: [Signature]

REV.	DATE	DESCRIPTION	DESIGNED BY	CHECKED BY	APPROVED BY

**PROHIBITIVE INFORMATION**

THIS DOCUMENT CONTAINS PROPRIETARY INFORMATION AND CONFIDENTIAL INFORMATION. IT IS THE PROPERTY OF PROCESS SOLUTIONS INT'L. IT IS TO BE KEPT CONFIDENTIAL AND NOT DISCLOSED TO THIRD PARTIES WITHOUT THE PRIOR WRITTEN CONSENT OF PROCESS SOLUTIONS INT'L. PROCESS SOLUTIONS INT'L UPON REQUEST AND IN ALL ENDERS WHOSE NAMES ARE ON THE DRAWING OF THIS DRAWING.

ORDERS	PROCESSES
PROJECT NAME: CENTRIFUGAL PUMP	PROJECT DESCRIPTION: MUD HOG 5x4x14
DATE: 05/08/04	DATE: 05/08/04
DESIGNED BY: R.X.X.	CHECKED BY: L.C.G.
APPROVAL: D.K.	DATE: 05/08/04
PROJECT NO.: CP5X4X14324T_326T	SCALE: 1/2" = 1'-0"

PSI Process Solutions International  
2022 Fishkillville Rd., P.O. Box 770, Fishkill, NY 12524

A

A

8 7 6 5 4 3 2 1