

DH Dual Hall Effect Pickup

Installation and Technical Data Guide

Rev 06/10

Description:

The DH Dual Hall Effect Pickups are microprocessor-based sensors for use with the JV-CG and JV-KG series of positive displacement flow meters. The DH sensors can detect both uni- and bi-directional flow. The sensors' mode of operation is determined by an output selection switch located inside the housing. The DH detects the rotation of the flow meter's gears and emits a frequency signal proportional to flow. The output signal is a square wave pulse which has a duty cycle of approximately 50%.

DH signal outputs are protected with a self-resetting fuse. This fuse has a 50mA nominal trip point. When a trip occurs, turn off power to the sensor and remove output load to reset fuse. The sensor has two different output configurations: sinking output and sourcing output.

The DH sensor circuit board is equipped with a red and green LED. The red LED is a status LED which, when the sensor is operating properly, will flash once every 2 seconds. The green LED indicates the pulse of the input signal. Note that signals above 20Hz will look as solid green.

Installation:

- Ensure that the flowmeter sensor cavity is free of debris prior to installing pickup
- Make sure the sensor mounting screws line up with the sensor mounting holes. If they do not, remove and rotate the sensor 180°
- Sensor is equipped with an output test feature for readouts before initial running of your system

TEST FEATURE: Note: Power must be cycled for new setting to take effect

- Switch setting 8 will cause the pick-up to output a 10 Hz (+/- 20%) Phase = +90 deg pulse output, simulating low flow conditions without flow through your meter.
- Switch setting 9 will cause the pick-up to output a 250 Hz (+/- 20%) Phase = -90 deg pulse output, simulating medium flow conditions without flow through your meter.

NOTE: WIRING SHOULD BE INSTALLED BY A QUALIFIED INSTRUMENTATION TECHNICIAN

Electrical Connection for Pin Connector

Pin Number	DH-A / -AA	DH-B / -BB
1	NC	NC
2	Output 2	Output 2
3	NC	NC
4	Output 1	Output 1
5	Ground	Ground
6	Supply	Supply

Wiring Color Code

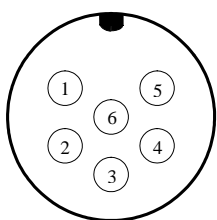
	Pin Number	Wire Color
Signal 2:	2	Green
Signal 1:	4	White
Ground:	5	Black
Supply Voltage:	6	Red

DH Operating Modes

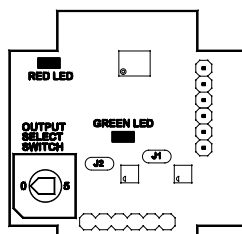
Switch	Output 1	Output 2
0	Direction	Signal 2
1	Signal 1	Signal 2
2	Direction	Signal 1 + 2 (2x frequency)
3	Signal 1	Signal 1 + 2 (2x frequency)
4	Signal 1 (both outputs in phase)	
5	Signal 2 (both outputs in phase)	
6	Signal 1 + 2 (both 2x frequency & both outputs in phase)	
7	Reserved	
8	Test: S1 & S2 == 10 Hz (+/- 20%) Phase = +90 deg.	
9	Test: S1 & S2 == 250 Hz (+/- 20%) Phase = -90 deg.	

Note: Power must be cycled for new setting to take effect

Pinout looking at male connector on sensor



Top view of circuit board with view of LED's and switch



DH Dual Hall Effect Pickup

Installation and Technical Data Guide

Rev 06/10

Technical Data:

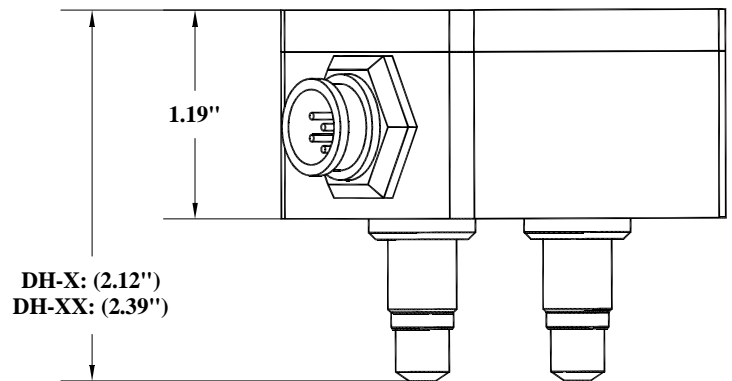
Supply Voltage:	+10 to 27 Volt DC
Supply Current:	18 mA @ 12 VDC, 25 mA @ 24 VDC
Duty Signal:	50% ± 15%
Minimum Signal:	0.5 Hz
Frequency Output:	Flow dependent, up to 2,000 Hz
Driving Capacity:	50 mA Max resistive load
Output Impedance:	~ 40 Ohm - analog switch and self-resetting fuse
Temperature Range:	-40° F to 185° F (-40° C to 85° C)

Part number configuration:

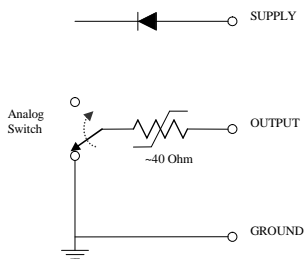
DH Sensors can be used with all Aluminum, 303 Stainless Steel and 316 Stainless Steel body flow meters

JV-CG 01, 10, 15, 20 & 30 | DH-A, DH-B
JV-KG 12, 20 & 30

JV-60CG & JV-60KG **ONLY** | DH-AA, DH-BB

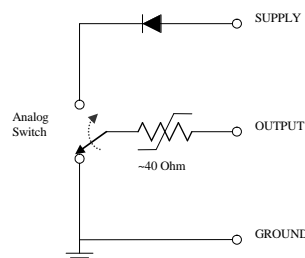


DH-A / -AA Sinking Output Circuit



- User may need to add external components to interface to displays or other instruments
- User must limit output voltage to Supply -1V
- Max current sinking capability: 50mA

DH-B / -BB Sourcing Output Circuit



- Signal output square wave :
 $V_{high} = \text{Supply} - 1V$ @ no output load
 $V_{low} = 0.1V$
- Max sourced output voltage: Supply -0.5V
- Max current sourcing capabilities: 50mA