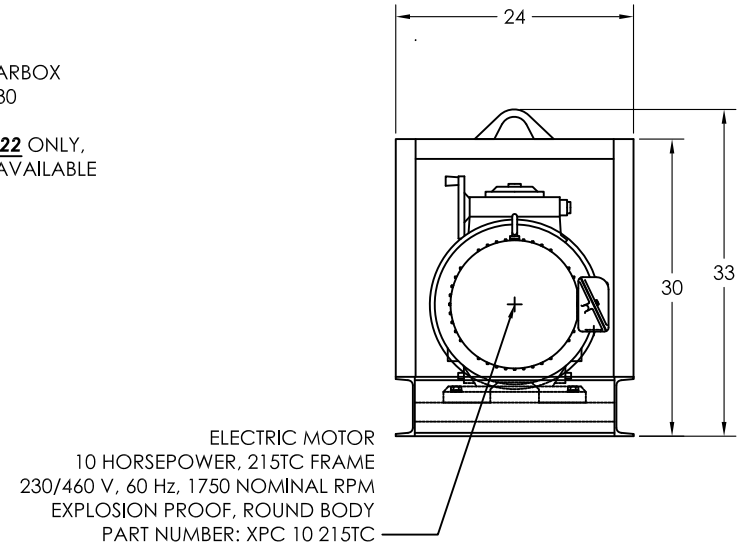
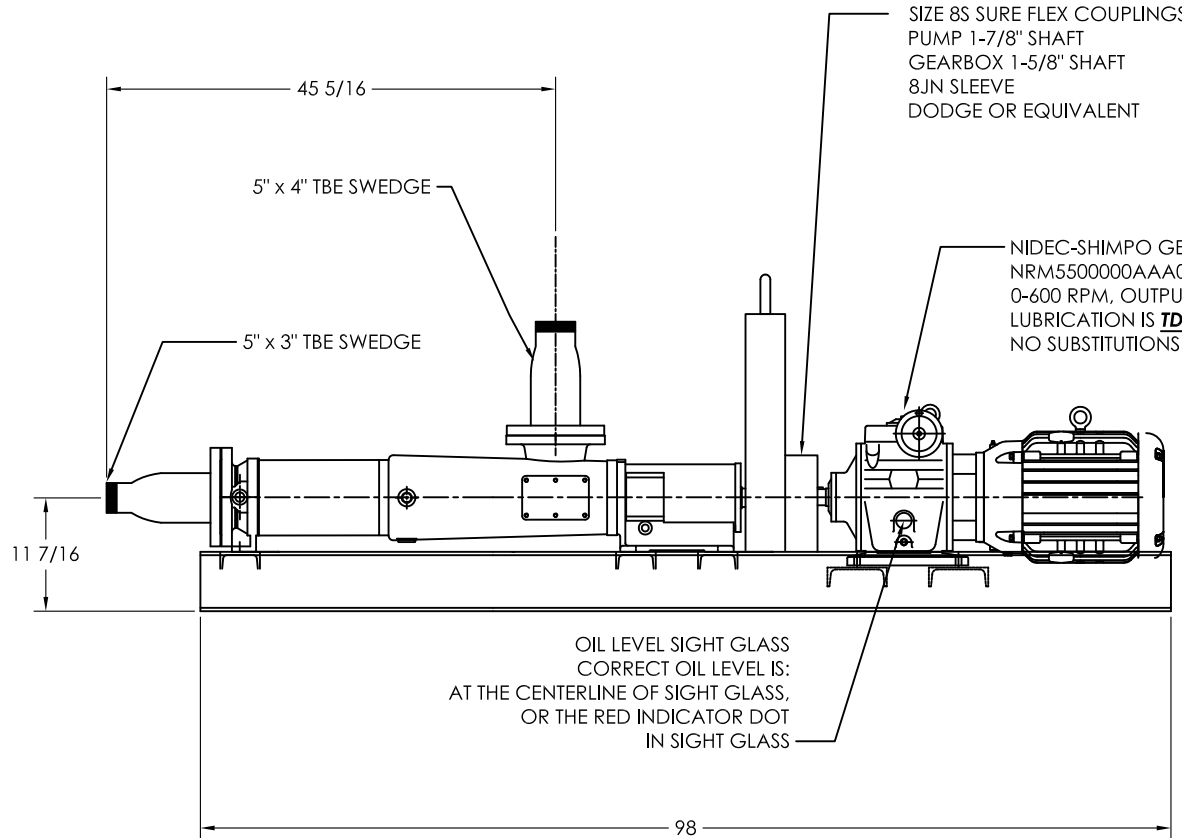



LTR	DESCRIPTION OF CHANGE	MADE	CHKD	DATE	APPROVED
ESTIMATED WEIGHT		825 LBS./374 KG			



THIS UNIT IS DESIGNED FOR CONTINUOUS DUTY.

PROPRIETARY INFORMATION THIS DOCUMENT CONTAINS PROCESS SOLUTIONS PROPRIETARY AND CONFIDENTIAL INFORMATION. IT IS LOANED FOR LIMITED PURPOSES ONLY AND REMAINS THE PROPERTY OF PROCESS SOLUTIONS. IT MAY NOT BE REPRODUCED IN WHOLE OR PART OR DISCLOSED TO THIRD PARTIES WITHOUT THE PRIOR WRITTEN CONSENT OF PROCESS SOLUTIONS. THE DOCUMENT IS TO BE RETURNED TO PROCESS SOLUTIONS UPON REQUEST AND IN ALL EVENTS UPON COMPLETION OF THE USE FOR WHICH IT WAS LOANED.		MATERIAL SPEC N/A		 PUMP & SKID ASSEMBLY M2601SX-10N	
DESIGNED BY	DATE	TITLE	REV		
DRAWN BY	DATE	REFERENCE No.	DRAWING No.		
CHECKED BY	DATE	SCALE	EST WT		
P.E. APPROVAL	DATE	SIZE	SHEET		
Q.A. REVIEW	DATE	B	1 OF 1		