

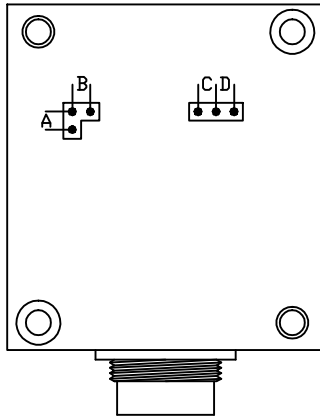
HDS 1S1, HDS 2S1, HDS 3S1 & Ex VERSION

DUAL PICKUP WITH DOUBLE FREQUENCY SIGNAL
FOR ZHM-01, ZHM-02, ZHM-02/1, ZHM-03

REV	DESCRIPTION	DATE	APPR. BY
A	INITIAL RELEASE	10-03-94	A.W.
B	CORRECTED OUTPUT PINS	05-28-96	A.W.
C	REVISED COMPANY LOGO	01-05-12	JP

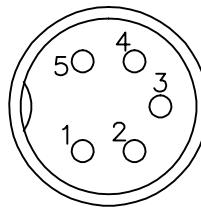
PROGRAMMING OF JUMPERS

JUMPER	SIGNAL 1 OUT	SIGNAL 2 OUT
A + D	DIRECTION SIGNAL	SIGNAL 2
A + C	SIGNAL 1	SIGNAL 2
B + D	DIRECTION SIGNAL	SIGNAL 1+2 (2*f)
B + C	SIGNAL 1	SIGNAL 1+2 (2*f)

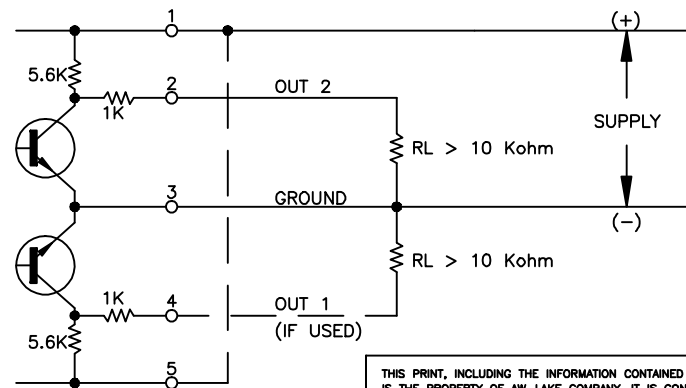
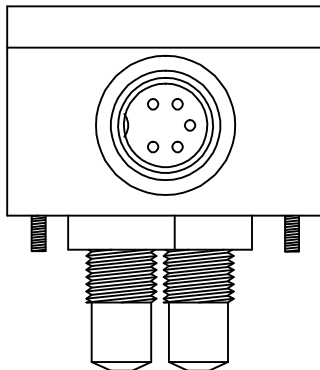


TAKE COVER OFF TO GET TO JUMPERS


ALWAYS TIE 1 & 5 TOGETHER AT THE CONNECTOR



- 1 - 8 - 28V DC (RED)
- 2 - SIGNAL 2 OUT (GREEN)
- 3 - 0V/ GROUND (BLACK)
- 4 - SIGNAL 1 OUT (WHITE)
- 5 - TIED TO PIN 1 (RED)



THIS PRINT, INCLUDING THE INFORMATION CONTAINED IN IT, IS THE PROPERTY OF AW-LAKE COMPANY. IT IS CONSIDERED PROPRIETARY IN NATURE AND MAY NOT BE USED OR DISCLOSED OUTSIDE OF AW-LAKE COMPANY, EXCEPT UNDER PRIOR WRITTEN AGREEMENT. ANY MODIFICATIONS MADE TO OR COMMENTS WRITTEN ON THIS DRAWING BY UNAUTHORIZED PERSONNEL WILL VOID THIS DRAWING. ALL DIMENSIONS SHOWN ARE SUBJECT TO CHANGE WITHOUT NOTICE.



AW-LAKE COMPANY
A TAMI GROUP COMPANY

8809 INDUSTRIAL DRIVE
FRANKSVILLE, WI 53126
TEL. # (262) 884-9800
FAX. # (262) 884-9810

TITLE: HDS xS1 & Wx PICKUPS	
DRAWING NUMBER: HDSX300	PART NUMBER: N/A
DATE: 10-03-94	REV: C
CHECKED BY: A.W.	DRAWN BY: GUS SKIAKER
PAGE 1	DF 1
SCALE: NONE	