
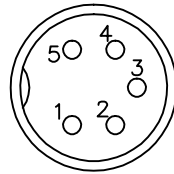
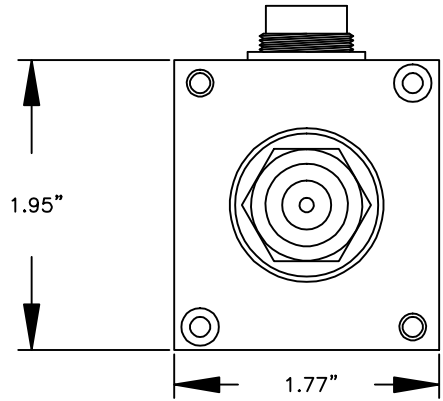


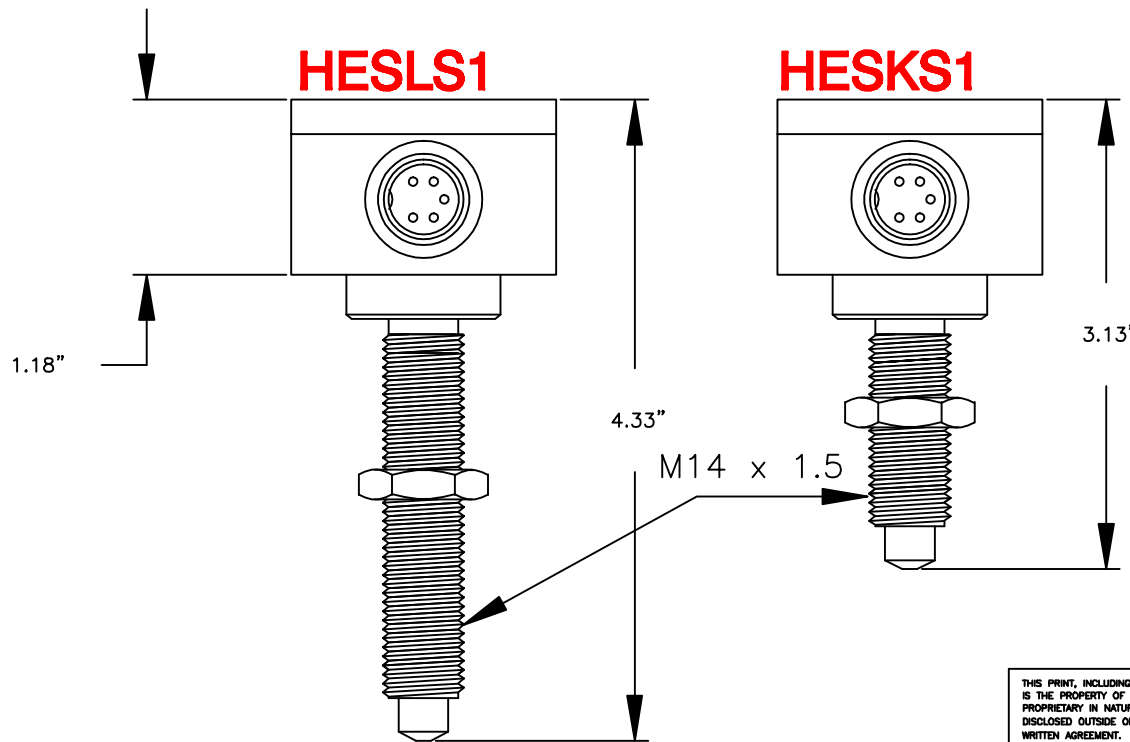
HESLS1 & HESKS1 PICKUPS

REV	DESCRIPTION	DATE	APPR. BY
A	INITIAL RELEASE	03-23-94	A.W.
B	REVISED COMPANY LOGO	01-05-12	JP

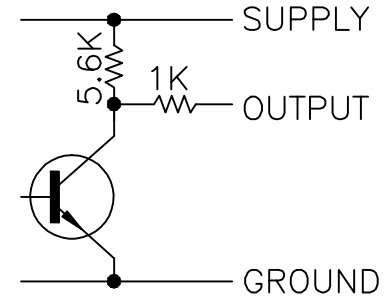
- 1 - +8 - 28 VDC
- 2 - OUTPUT 
- 3 - 0V (GND)
- 4 - NOT USED
- 5 - NOT USED



SUPPLY CURRENT: < 8mA
 PULSE HIGH: SUPPLY - 1.2V
 PULSE LOW: < 0.7V
 FREQUENCY: MAX 3KHz




OUTPUT CIRCUIT



INSTALLATION TIPS

TURN UNTIL HAND TIGHT.
 BACK OFF 1/4 TURN,
 AND TIGHTEN THE
 LOCK NUT.

THIS PRINT, INCLUDING THE INFORMATION CONTAINED IN IT, IS THE PROPERTY OF AW-LAKE COMPANY. IT IS CONSIDERED PROPRIETARY IN NATURE AND MAY NOT BE USED OR DISCLOSED OUTSIDE OF AW-LAKE COMPANY, EXCEPT UNDER PRIOR WRITTEN AGREEMENT. ANY MODIFICATIONS MADE TO OR COMMENTS WRITTEN ON THIS DRAWING BY UNAUTHORIZED PERSONNEL WILL VOID THIS DRAWING. ALL DIMENSIONS SHOWN ARE SUBJECT TO CHANGE WITHOUT NOTICE.



8809 INDUSTRIAL DRIVE
 FRANKSVILLE, WI 53126
 TEL. # (262) 884-9800
 FAX. # (262) 884-9810

AW-LAKE COMPANY
 A TASC ENERGY COMPANY

TITLE: HESLS1 & HESKS1

DRAWING NUMBER: HESX300	PART NUMBER: N/A
DATE: 03-23-94	REV: B DRAWN BY: GUS SKIAKER
CHECKED BY: A.W.	PAGE 1 OF 1 SCALE: NONE