

VTxx/P SENSOR

INSTALLATION GUIDE:

BACK THE LOCK NUT UP TOWARDS THE AMPLIFIER HOUSING.
SCREW IN THE SENSOR BY HAND UNTIL IT TOUCHES
BOTTOM, THEN BACK OFF 1/4 TURN AND TIGHTEN
THE LOCK NUT.

TECHNICAL DATA:

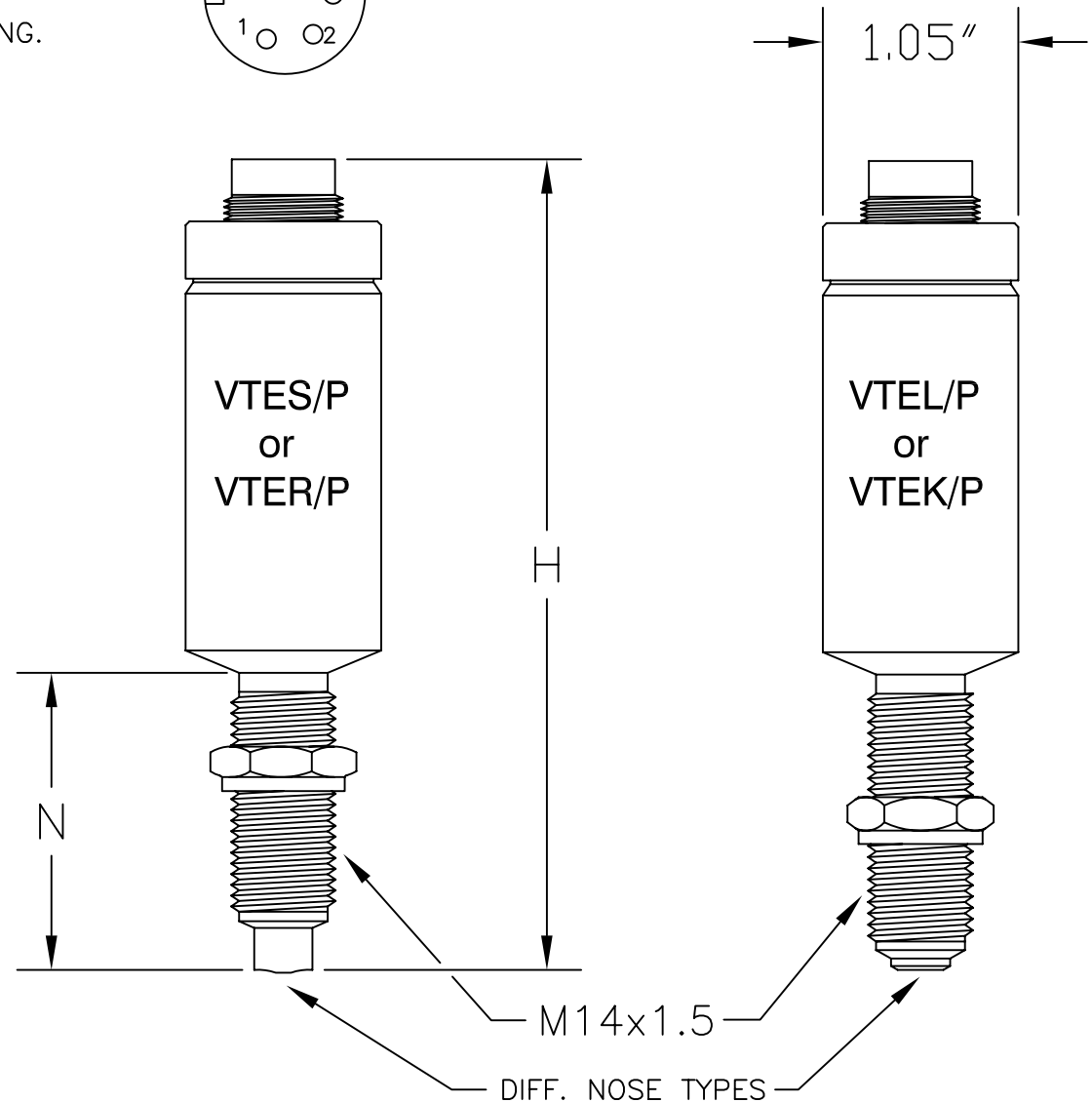
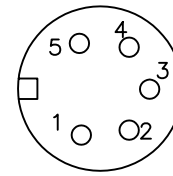
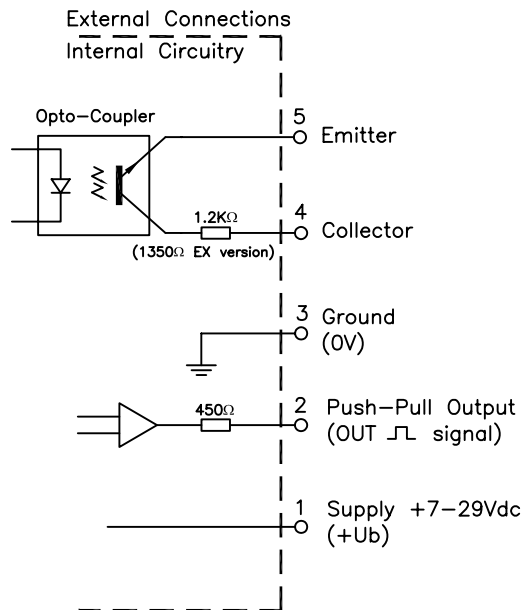
SUPPLY VOLTAGE....+7-29VDC
SUPPLY CURRENT....

MAX FLUID TEMPERATURE:

+248°F FOR VTER/P AND VTEK/P
+302°F FOR VTEL/P AND VTES/P

DIMENSIONS:

H = 4.33in (VTEK/P and VTER/P),
5.87in (VTEL/P and VTES/P)
N = 1.63in (VTEK/P and VTER/P)
3.17in (VTEL/P and VTES/P)
∅ = 1.05in



PURCHASED PART DRAWING

THIS PRINT, INCLUDING THE INFORMATION CONTAINED IN IT, IS THE PROPERTY OF AW-LAKE COMPANY. IT IS CONSIDERED PROPRIETARY IN NATURE AND MAY NOT BE USED OR DISCLOSED OUTSIDE OF AW-LAKE COMPANY, EXCEPT UNDER PRIOR WRITTEN AGREEMENT. ANY MODIFICATIONS MADE TO OR COMMENTS WRITTEN ON THIS DRAWING BY UNAUTHORIZED PERSONNEL WILL VOID THIS DRAWING. ALL DIMENSIONS SHOWN ARE SUBJECT TO CHANGE WITHOUT NOTICE.



AW-LAKE COMPANY
A TASI GROUP COMPANY

8809 INDUSTRIAL DRIVE
FRANKSVILLE, WI 53126
TEL. # (262) 884-9800
FAX. # (262) 884-9810

TITLE: VTxx/P PICKUP SENSOR

DRAWING NUMBER: VTER700C	PART NUMBER: —
DATE: 08-28-01	REV: C
CHECKED BY: C.H.	DRAWN BY: SHANE WILSON
PAGE 1 OF 1	SCALE: NONE