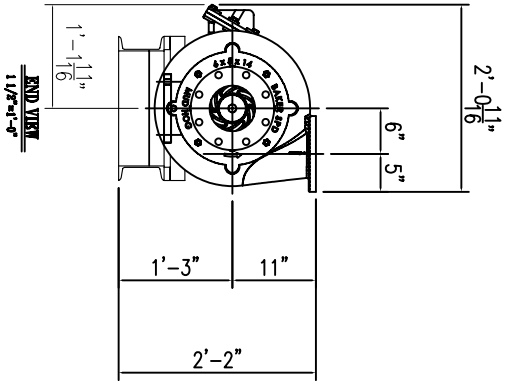
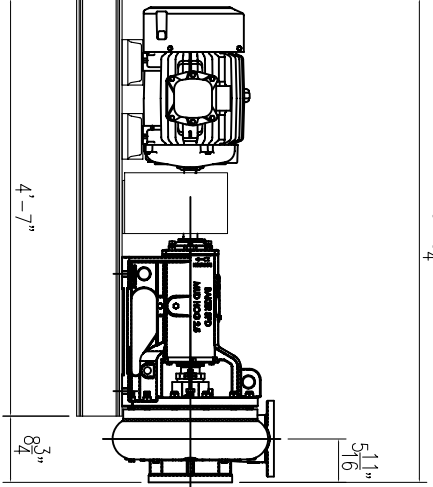
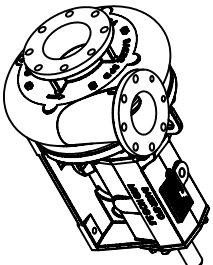
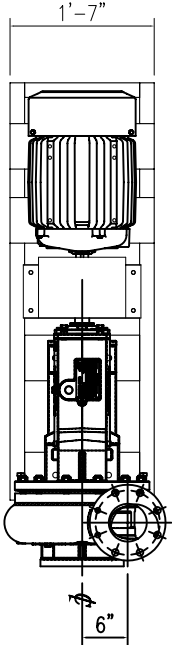


CP6X5X14254T_256T 1

CP6X5X14254T_256T 1

ITEM NO.	QUANTITY	DESCRIPTION	LENGTH FT.	IN.	WT.
1					



STANDARD NOTES and TOLERANCES

UNLESS OTHERWISE SPECIFIED, ALL DIMENSIONS ARE TO BE GIVEN IN DECIMAL INCHES. DIMENSIONS ARE TO BE GIVEN IN DECIMAL INCHES UNLESS OTHERWISE SPECIFIED.

FINISHES: UNLESS OTHERWISE SPECIFIED, ALL DIMENSIONS ARE TO BE GIVEN IN DECIMAL INCHES. DIMENSIONS ARE TO BE GIVEN IN DECIMAL INCHES UNLESS OTHERWISE SPECIFIED.

DATE: 05/08/04

BY: R.A.X.

CHECKED BY: L.C.G.

APPROVAL: D.K.

REV.	DATE	DESCRIPTION	DESIGNED BY	CHECKED BY	APPROVED BY

PROVISIONAL INFORMATION

THIS DOCUMENT CONTAINS PROCESS SOLUTIONS INTL. PROPRIETARY AND CONFIDENTIAL INFORMATION. IT IS THE PROPERTY OF PROCESS SOLUTIONS INTL. AND IS LOANED TO YOUR FACILITY FOR YOUR USE ONLY. IT IS NOT TO BE REPRODUCED, COPIED, OR DISCLOSED TO THIRD PARTIES WITHOUT THE PRIOR WRITTEN CONSENT OF PROCESS SOLUTIONS INTL. PROCESS SOLUTIONS INTL. UPON REQUEST AND IN ALL ENDERS WHOSE NAMES ARE LISTED ON THIS DOCUMENT.

ORDER: PROJECT NAME: DATE: 05/08/04

DESIGNED BY: R.A.X. DATE: 05/08/04

CHECKED BY: L.C.G. DATE: 05/08/04

APPROVAL: D.K. DATE: 05/08/04

PSI Process Solutions International

2022 Hightower Blvd., Grand Prairie, TX 75052

TITLE: CENTRIFUGAL PUMP MUD HOG 6x5x14 254T/256T MOTOR

PROJECT DESCRIPTION: CP6X5X14254T_256T

SCALE: 1 1/2" = 1'-0"

CP6X5X14254T_256T 1

CP6X5X14254T_256T 1