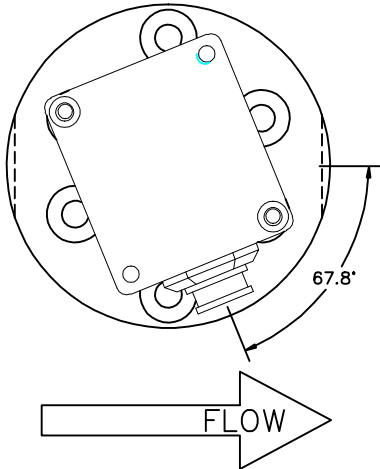
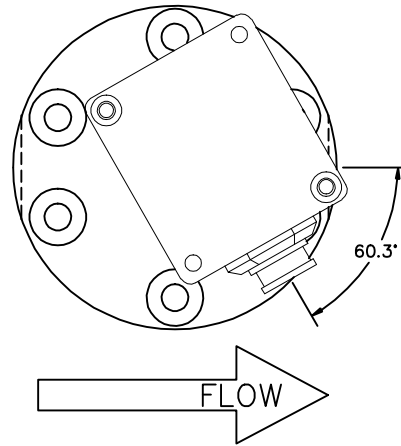


DH & HEF SENSOR POSITION ON -CG AND -KG GEAR METERS

JV-01CG

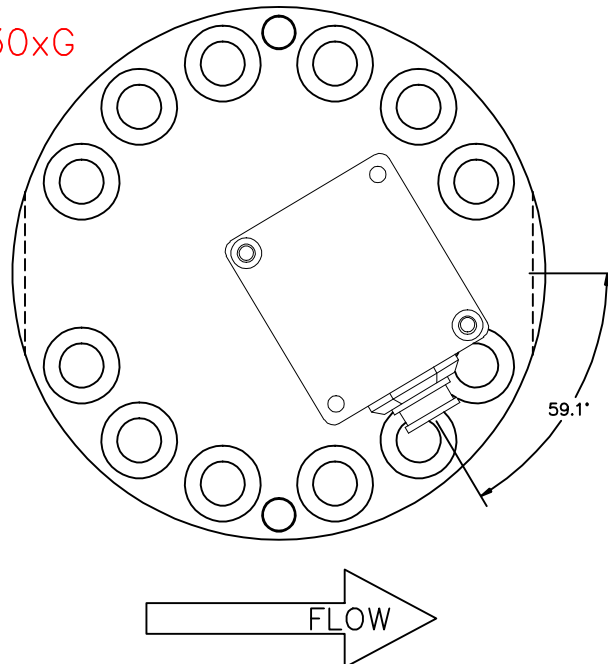
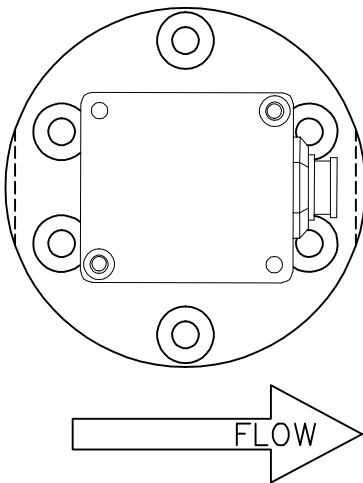


JV-10CG / -12KG



JV-60xG

JV-15CG / -20xG / -30xG



AW-LAKE COMPANY USE ONLY

THIS PRINT, INCLUDING THE INFORMATION CONTAINED IN IT, IS THE PROPERTY OF AW-LAKE COMPANY. IT IS CONSIDERED PROPRIETARY IN NATURE AND MAY NOT BE USED OR DISCLOSED OUTSIDE OF AW-LAKE COMPANY, EXCEPT UNDER PRIOR WRITTEN AGREEMENT. ANY MODIFICATIONS MADE TO OR COMMENTS WRITTEN ON THIS DRAWING BY UNAUTHORIZED PERSONNEL WILL VOID THIS DRAWING. ALL DIMENSIONS SHOWN ARE SUBJECT TO CHANGE WITHOUT NOTICE.



8809 INDUSTRIAL DRIVE
FRANKSVILLE, WI 53126
TEL. # (262) 884-9800
FAX. # (262) 884-9810

TITLE: DH & HEF SENSOR POSITION

DRAWING NUMBER: HEFD800

PART NUMBER: --

DATE: 10-11-05 REV: B DRAWN BY: CHRIS HUSSON

CHECKED BY: C.H.

PAGE 1 OF 1

SCALE: NONE

REV.	DATE	DESCRIPTION	BY	APPROVED
B	12/7/11	REVISED COMPANY LOGO	JP	
A	10/11/05	INITIAL DRAWING RELEASE	CH	
REVISIONS				