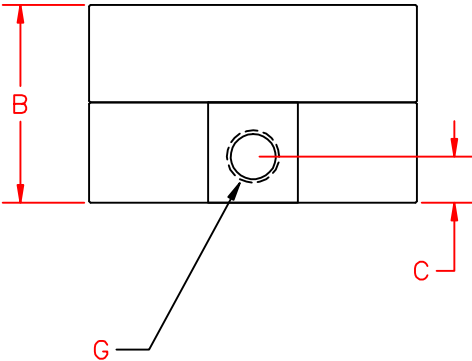
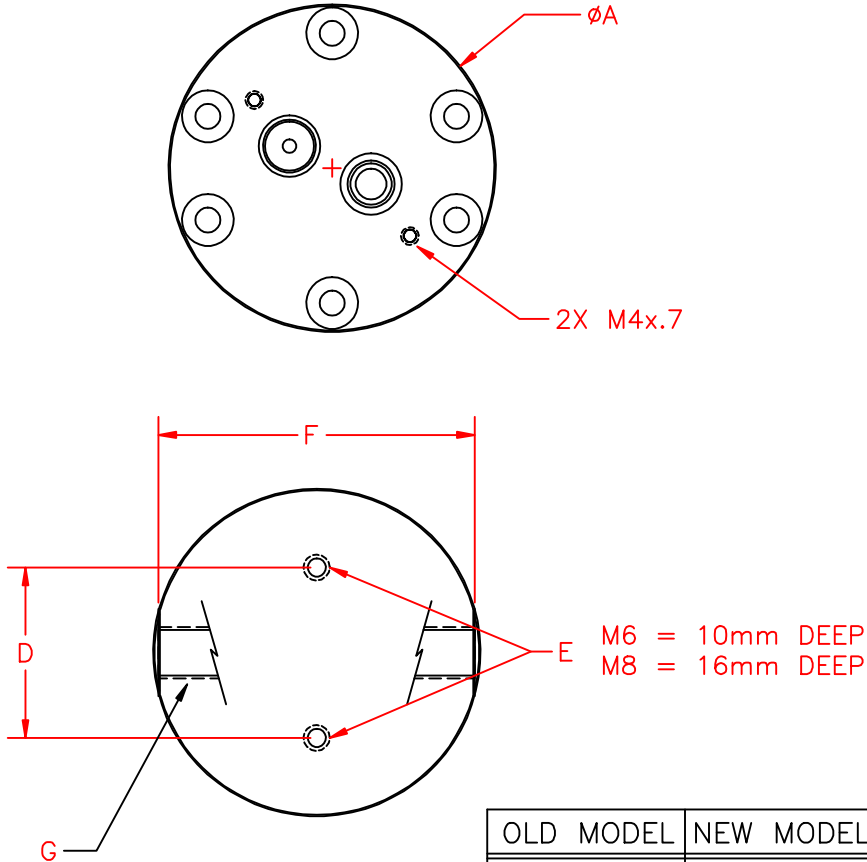


JVx-xxCG DIMENSIONS



DIMENSIONS = mm (inch)

OLD MODEL	NEW MODEL	PUL/GAL (AVERAGE)	A	B	C	D	E	F	G
- - -	JVM-01CG	155,000	76 (2.99)	46 (1.81)	10.5 (0.41)	44 (1.73)	M6	72 (2.83)	1/4" NPT
JVM-10C	JVM-10CG	100,300	76 (2.99)	46 (1.81)	10.5 (0.41)	44 (1.73)	M6	72 (2.83)	1/4" NPT
JVM-15C	JVM-15CG	31,000	84.4 (3.32)	51 (2.01)	12 (0.47)	44 (1.73)	M6	80 (3.15)	1/4" NPT
JVM-20C	JVM-20CG	15,900	84.4 (3.32)	55 (2.17)	12 (0.47)	44 (1.73)	M6	80 (3.15)	1/4" NPT
- - -	JVM-30CG	6,600	84.4 (3.32)	67 (2.64)	13 (0.51)	44 (1.73)	M6	80.4 (3.17)	1/2" NPT
JVM-60C	JVM-60CG	1,800	125 (4.92)	107 (4.21)	19 (0.75)	60 (2.36)	M8	119 (4.69)	3/4" NPT

DIMENSIONS SUBJECT TO CHANGE WITHOUT NOTICE

AW-LAKE COMPANY USE ONLY

THIS PRINT, INCLUDING THE INFORMATION CONTAINED IN IT, IS THE PROPERTY OF AW-LAKE COMPANY. IT IS CONSIDERED PROPRIETARY IN NATURE AND MAY NOT BE USED OR DISCLOSED OUTSIDE OF AW-LAKE COMPANY, EXCEPT UNDER PRIOR WRITTEN AGREEMENT. ANY MODIFICATIONS MADE TO OR COMMENTS WRITTEN ON THIS DRAWING BY UNAUTHORIZED PERSONNEL WILL VOID THIS DRAWING. ALL DIMENSIONS SHOWN ARE SUBJECT TO CHANGE WITHOUT NOTICE.

AW-LAKE COMPANY
A TADINI GROUP COMPANY

8000 INDUSTRIAL DRIVE
FRANKSVILLE, WI 53126
TEL. # (262) 864-0000
FAX. # (262) 864-0010

TITLE: JVM-XXCG DIMENSIONS
DRAWING NUMBER: CG1D100H PART NUMBER: --
DATE: 02-09-05 REV: H | DRAWN BY: CHRIS HUSSON
CHECKED BY: C.H. PAGE 1 OF 1 SCALE: NONE