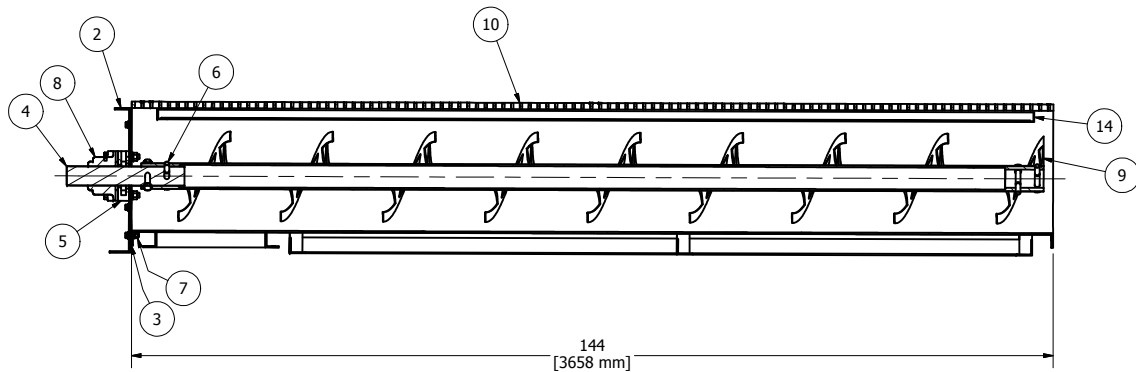
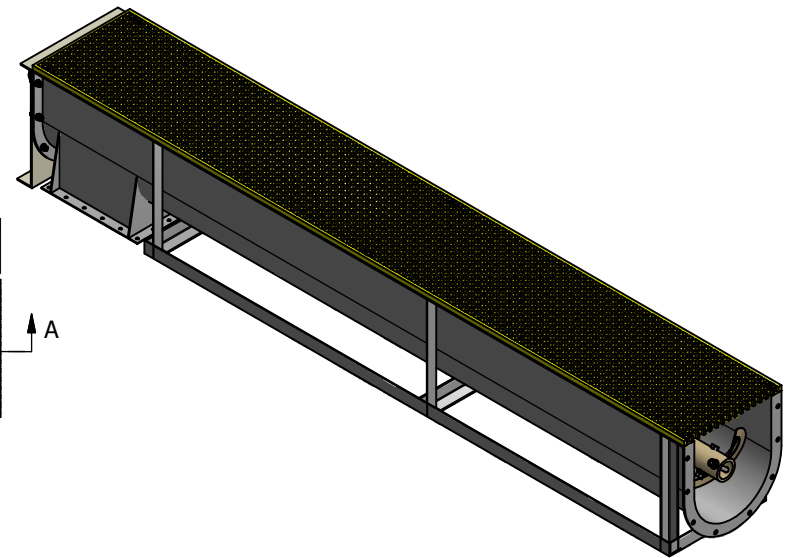
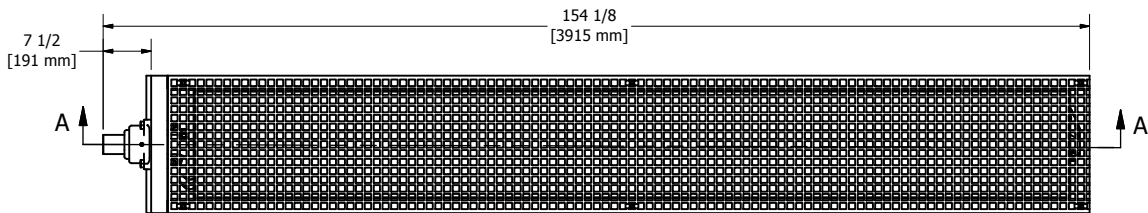
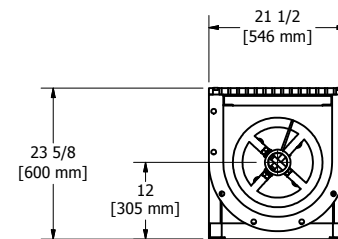


**GRP CLAMP**




**SECTION A-A**



PARTS LIST			
ITEM	QTY	PART NUMBER	DESCRIPTION
1	1	CTF167X12	TROUGH, 16" X 12 FT LG
2	1	CEF183	END PLATE, FOR 16" SCREW AND 3" SHAFT
3	1	16CG	GASKET, FOR 16" CONVEYOR
4	1	CES3 X 14 875	END SHAFT, 3" X 14 7/8 LG
5	1	CSW3	SEAL AND HOUSING FOR 3" SHAFT
6	4	075SCA	SHAFT CONNECTOR ASSEMBLY.
7	8	.05TCA	TROUGH CONNECTOR ASSEMBLY.
8	1	3TE	FLANGE BEARING, 3" TYPE E
9	1	16H61-RR	SCREW, 16" X 12' RIBBON FLIGHT
10	1	16 X 12-GRP	GRATING, 12' LG FOR 16" SCREW CONVEYOR
11	6	GRP-C	CLAMP, GRP GRATING
12	6	.25 HHCS	HHCS, 1/4 X 1.25 LG, SST
13	6	.25 NUT	NUT, 1/4 SST
14	1	16 X 12-SG	SAFETY GRATING, 16" X 12' LG

DRAWN	LG	3/23/2010
CHECKED		
QA		
MFG		
APPROVED		

 5119 Hiltonview Road Houston, TX 77086 281-893-4774 281-893-1027 FAX		
TITLE		
<b>ASSEMBLY, 16" X 12' SCREW CONVEYOR          END SECTION</b>		
SIZE	DWG NO	REV
C	A11653	
SCALE	SHEET 1 OF 1	