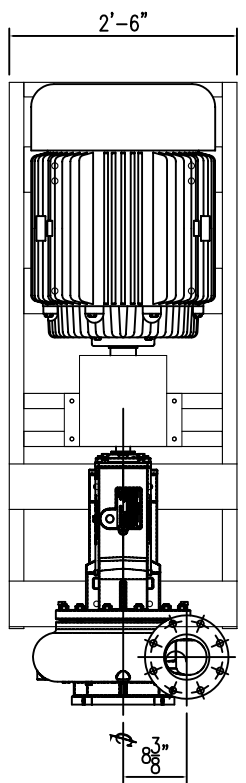


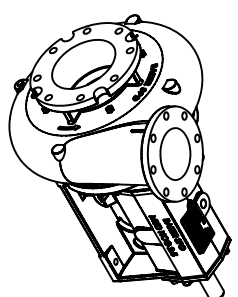
CP8X6X14444T_445T 1

CP8X6X14444T_445T 1

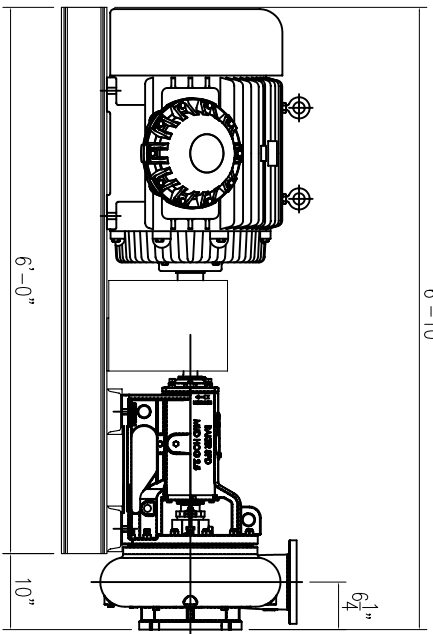
ITEM NO.	QUANTITY	DESCRIPTION	LENGTH FT.	IN.	WT.
1					



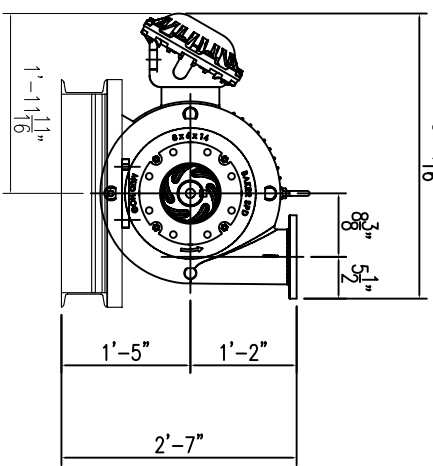
PLAN VIEW
1 1/2" = 1'-0"



ISO METRIC VIEW (PUMP ONLY)
1 1/2" = 1'-0"



ELEVATION
1 1/2" = 1'-0"



END VIEW
1 1/2" = 1'-0"

STANDARD NOTES and TOLERANCES

UNLESS OTHERWISE SPECIFIED, ALL DIMENSIONS ARE TO BE INTERPRETED AS PER THE FOLLOWING TOLERANCES:

FINISHES: UNLESS OTHERWISE SPECIFIED, ALL DIMENSIONS ARE TO BE INTERPRETED AS PER THE FOLLOWING TOLERANCES:

FINISHES: UNLESS OTHERWISE SPECIFIED, ALL DIMENSIONS ARE TO BE INTERPRETED AS PER THE FOLLOWING TOLERANCES:

FINISHES: UNLESS OTHERWISE SPECIFIED, ALL DIMENSIONS ARE TO BE INTERPRETED AS PER THE FOLLOWING TOLERANCES:

FINISHES: UNLESS OTHERWISE SPECIFIED, ALL DIMENSIONS ARE TO BE INTERPRETED AS PER THE FOLLOWING TOLERANCES:

REV.	DATE	DESCRIPTION	DESIGNED BY	CHECKED BY

PROFESSIONAL INFORMATION:

THIS DOCUMENT CONTAINS PROCESS SOLUTIONS INT'L PROPRIETARY AND CONFIDENTIAL INFORMATION. IT IS THE PROPERTY OF PROCESS SOLUTIONS INT'L AND IS TO BE USED ONLY FOR THE PROJECT AND SITE SPECIFICALLY IDENTIFIED HEREIN. NO PART OF THIS DOCUMENT IS TO BE REPRODUCED OR TRANSMITTED IN ANY FORM OR BY ANY MEANS, ELECTRONIC OR MECHANICAL, INCLUDING PHOTOCOPYING, RECORDING, OR BY ANY INFORMATION STORAGE AND RETRIEVAL SYSTEM, WITHOUT THE PRIOR WRITTEN CONSENT OF PROCESS SOLUTIONS INT'L. PROCESS SOLUTIONS INT'L, UPON REQUEST AND IN ALL COUNTRIES, WILL FURNISH YOU WITH A COPY OF THIS DOCUMENT AT NO CHARGE.

ORDERS	PROJECT NAME:	DATE:

PSI Process Solutions International
2022 Hightstown, NJ, United States 08520-5172

TITLE:
CENTRIFUGAL PUMP
MUD HOG 8x6x14
444T/445T MOTOR

PROJECT DESCRIPTION:
CP8X6X14444T_445T

SCALE:
1 1/2" = 1'-0"

CP8X6X14444T_445T 1

CP8X6X14444T_445T 1

8 7 6 5 4 3 2 1