

CAPM-15 High Temperature Pickup System

Description:

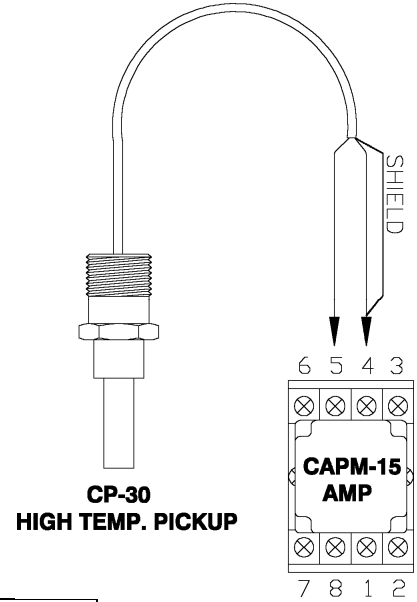
The **CAPM-15 High Temperature Pickup System** consists of a **CAPM-15/AMP** signal amplifier module and the **CP-30** high temperature carrier frequency pickup.

The **CAPM-15/AMP** will work on a supply voltage between 10 Volt DC and 30 Volt DC. The module is protected against reversed polarity on the voltage supply.

The length of wire between the **CP-30** and the **CAPM-15/AMP** module should not be extended over 20 feet. The **CP-30** is supplied with a 7 foot cable only.

Technical Data:

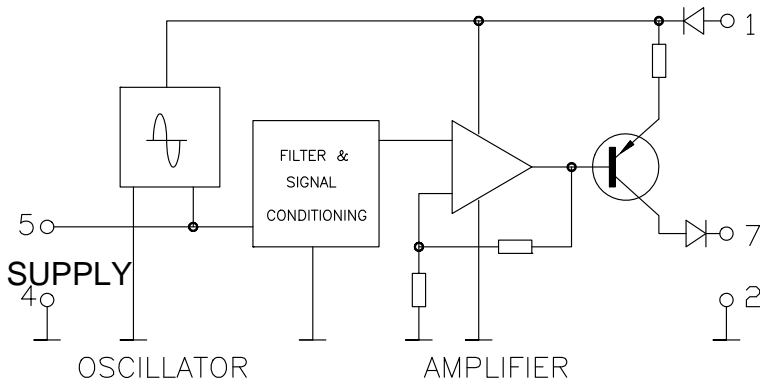
Supply Voltage: 10 to 30 Volt DC
 Supply Current: 9 mA @ 15 Volt, max 18mA
 Signal Output: Square wave, Supply minus 2-3 V, peak-to-peak
 Frequency Output : Flow dependent, up to 2000 Hz
 Temperature range: **CAPM-15/AMP** : Up to 160 °F/70 °C
CP-30.....: Up to 400 °F/205 °C



Connections:

- 1 - +10 to 30 Volt DC supply voltage
- 2 - Ground for supply and signals
- 3 - Not used
- 4 - Signal from pickup & shield wire
- 5 - Signal from pickup
- 6 - Not used
- 7 - Frequency signal output
- 8 - Not used

<u>Wire Color Code:</u>	
Supply Voltage:	Red
Ground:	Black
Signal:	White



OUTPUT:
 13V. peak-peak
 (4.2VRMS) @ 15V

Note: If signal does not go to ground, connect external resistor, 5 K-10 Kohm, between input and ground of monitoring equipment.