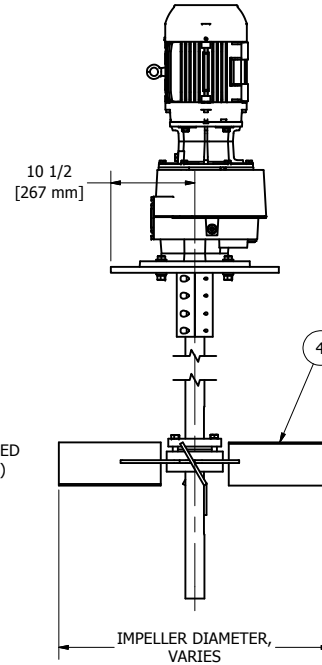
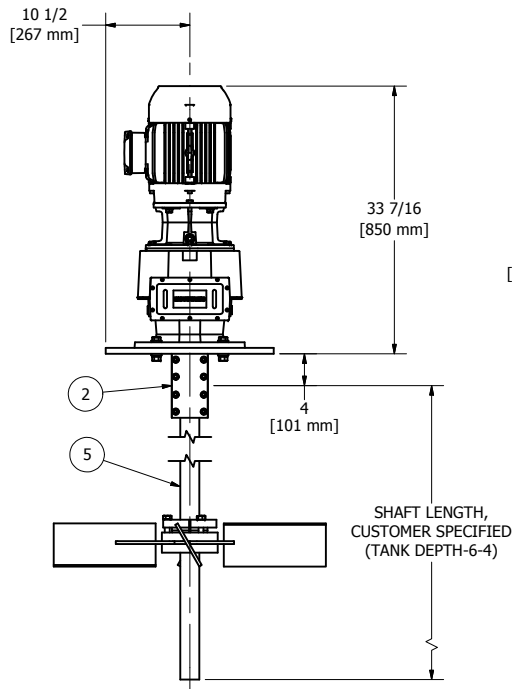
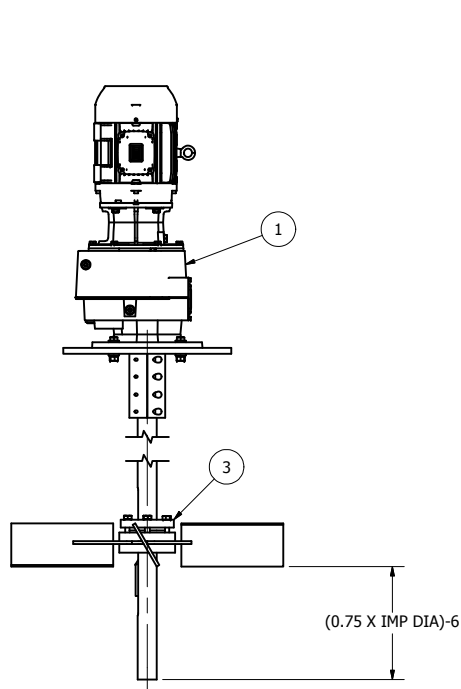
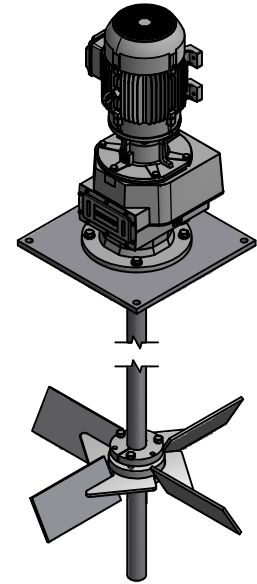
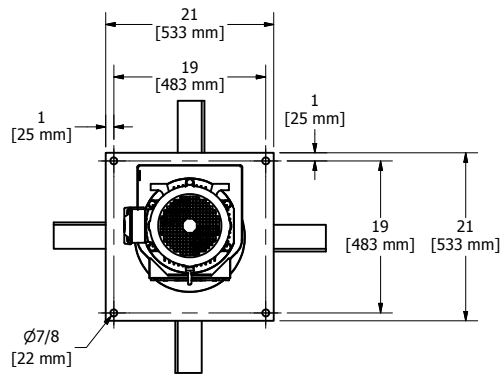


TABLE 1: DRIVE OPTIONS	
PART NUMBER	DESCRIPTION
LPM2A07V-460	7.5 HP VERTICAL LOW PROFILE DRIVE WITH 7.5 HP 1750 RPM, 213TC FRAME, 230/460 V, 60 HZ, TEXP MOTOR.
LPM2A07V-575	7.5 HP VERTICAL LOW PROFILE DRIVE WITH 7.5 HP 1750 RPM, 213TC FRAME, 575 V, 60 HZ, TEXP MOTOR.
LPM2A05V-380	5 HP VERTICAL LOW PROFILE DRIVE WITH 5 HP 1450 RPM, 213TC FRAME, 190/380 V, 50 HZ, TEXP MOTOR.

TABLE 2: IMPELLER OPTIONS	
PART NUMBER	DESCRIPTION
30CI	30" DIAMETER CANTED IMPELLER
32CI	32" DIAMETER CANTED IMPELLER
34CI	34" DIAMETER CANTED IMPELLER
36CI	36" DIAMETER CANTED IMPELLER



NOTES:

- APPROXIMATE DRIVE WEIGHT IS 373 LB (170 KG).

PARTS LIST			
ITEM	QTY	PART NUMBER	DESCRIPTION
1	1	-	SEE TABLE 1
2	1	2.375CTX	CLAMP, FOR 2 3/8" SHAFT
3	1	2.375-F	BUSHING, 2 3/8" QD-F
4	1	-	SEE TABLE 2
5	1	2.375-S	BAR, ROUND 2 3/8" DIA. CUSTOMER

DRAWN	LG	7/27/2010
CHECKED		
QA		
MFG		
APPROVED		

PSI			7519 Prairie Oak Dr Houston, TX 77086 281-893-4774 281-893-1027 FAX
TITLE GENERAL ARRANGEMENT, LPM2A07-V AT 60 HZ AND LPM2A05-V AT 50 HZ			
SIZE	DWG NO		REV
C	GA11802		
SCALE			SHEET 1 OF 1