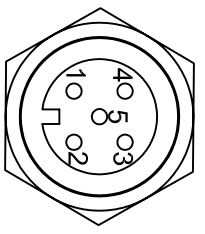
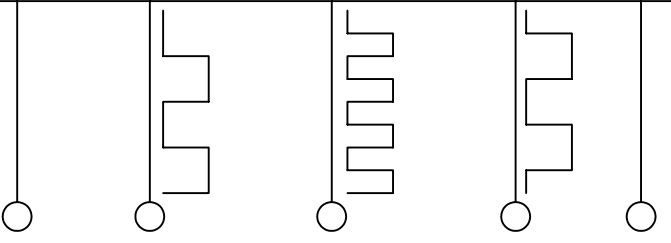
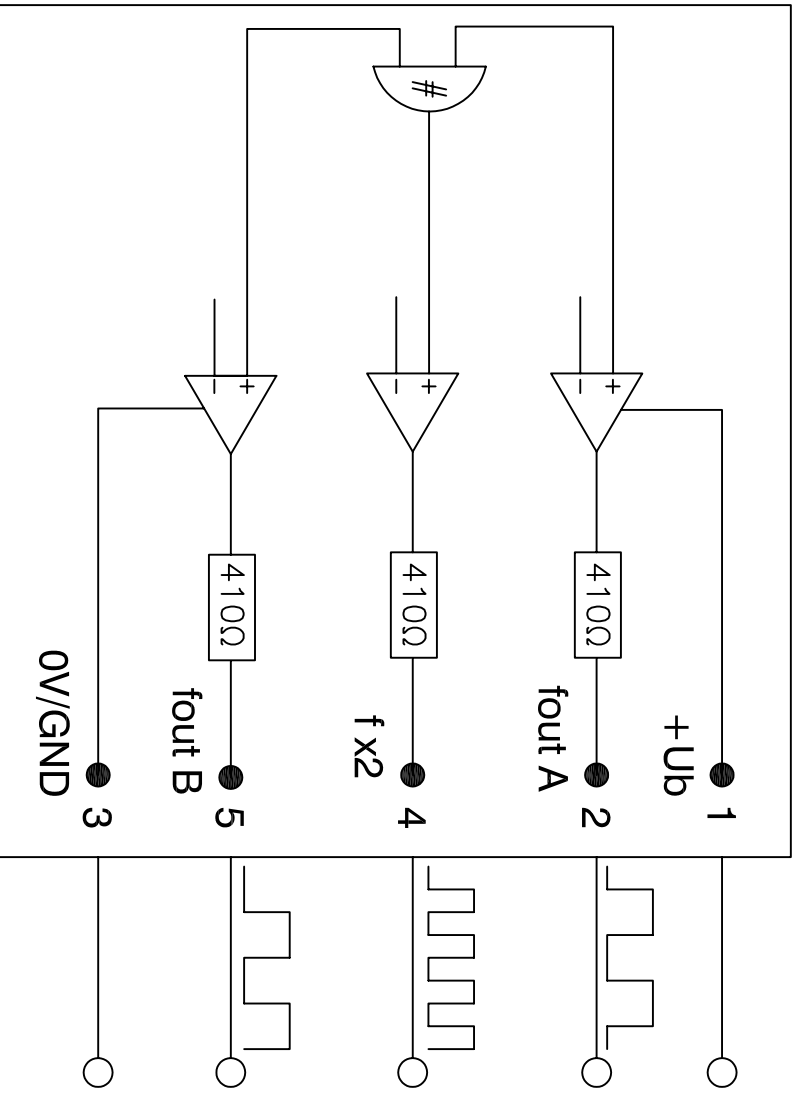
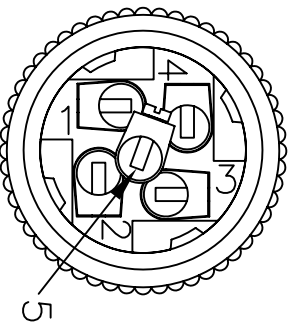


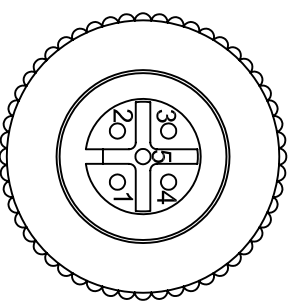
# SRZ-40 STAT HELICAL FLOWMETER WITH DUAL INTEGRAL SENSOR



- 1 = +Ub (12 TO 30 VDC)
- 2 = FREQ. A OUT (1X)
- 3 = 0V
- 4 = FREQ. A+B OUT (2X)
- 5 = FREQ. B OUT (1X)



MATING CONNECTOR REAR VIEW



MATING CONNECTOR FRONT VIEW

B	ADDED WAVEFORMS & OUTLINE BDX	04-30-09	FJ
A	INITIAL RELEASE	09-12-07	FJ
REV.	DESCRIPTION OF CHANGE	DATE	BY

**AW COMPANY USE ONLY**

THIS PRINT, INCLUDING THE INFORMATION CONTAINED IN IT, IS THE PROPERTY OF AW COMPANY. IT IS CONSIDERED PROPRIETARY IN NATURE AND MAY NOT BE USED OR DISCLOSED OUTSIDE OF AW COMPANY, EXCEPT UNDER PRIOR WRITTEN AGREEMENT. ANY MODIFICATIONS MADE TO OR COMMENTS WRITTEN ON THIS DRAWING BY UNAUTHORIZED PERSONNEL WILL VOID THIS DRAWING. ALL DIMENSIONS SHOWN ARE SUBJECT TO CHANGE WITHOUT NOTICE.

<p><b>AW-LAKE COMPANY</b> A TASI GROUP COMPANY</p>		<p>8809 INDUSTRIAL DRIVE FRANKSVILLE, WI 53126 TEL. # (262) 884-9800 FAX. # (262) 884-9810</p>	
<p>TITLE: SRZ-40STAT W/DUAL SENSOR</p>			
<p>DRAWING NUMBER: SRZ40A900A</p>		<p>PART NUMBER: BD00056</p>	
<p>DATE: 09-12-07</p>		<p>REV: A</p>	
<p>CHECKED BY: F.J.</p>		<p>DRAWN BY: FRED JACOBSON</p>	
<p>PAGE: 1</p>		<p>OF: 1</p>	
<p>SCALE: NONE</p>			