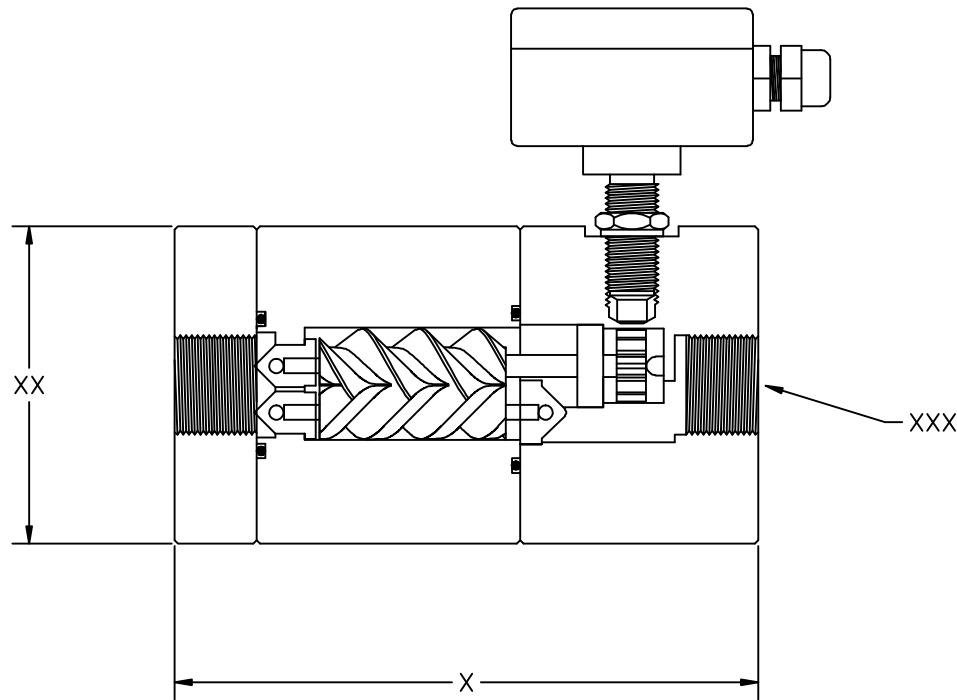


SRZ METER DIMENSIONS



X=LENGTH
XX=DIAMETER
XXX=PORT SIZE

SRZ-10

X=4.0"
XX=2.3"
XXX=1/4" BSP

SRZ-20

X=4.875"
XX=3.0"
XXX=1/2" BSP

SRZ-40

X=6.1"
XX=3.4"
XXX=3/4" BSP

SRZ-100

X=8.7"
XX=4.4"
XXX=1" BSP

SRZ-400

X=12.5"
XX=5.25"
XXX=1 1/2" BSP

AW-LAKE COMPANY USE ONLY

THIS PRINT, INCLUDING THE INFORMATION CONTAINED IN IT, IS THE PROPERTY OF AW-LAKE COMPANY. IT IS CONSIDERED PROPRIETARY IN NATURE AND MAY NOT BE USED OR DISCLOSED OUTSIDE OF AW-LAKE COMPANY, EXCEPT UNDER PRIOR WRITTEN AGREEMENT. ANY MODIFICATIONS MADE TO OR COMMENTS WRITTEN ON THIS DRAWING BY UNAUTHORIZED PERSONNEL WILL VOID THIS DRAWING.



8800 INDUSTRIAL DRIVE
FRANKFVILLE, VA 22126
TEL. # (800) 864-0800
FAX. # (800) 864-0810

TITLE: SRZ FLOW METER DIMENSIONS

DRAWING NUMBER: SRZX700B PART NUMBER: —

DATE: 3-25-99 REV: A DRAWN BY: SHANE WILSON

CHECKED BY: C.H. PAGE 1 OF 1 SCALE: NONE