

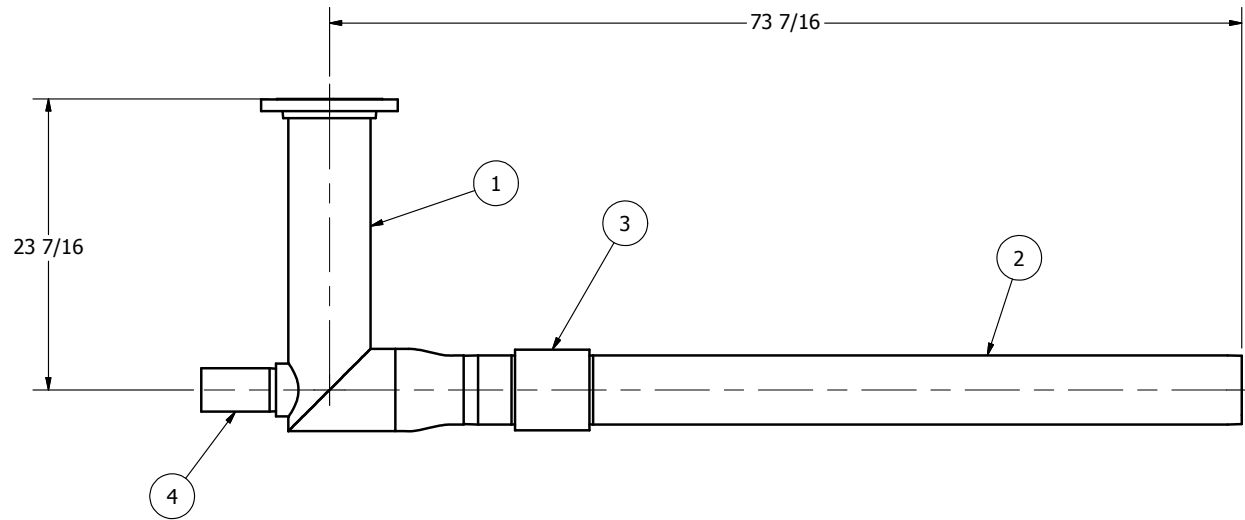
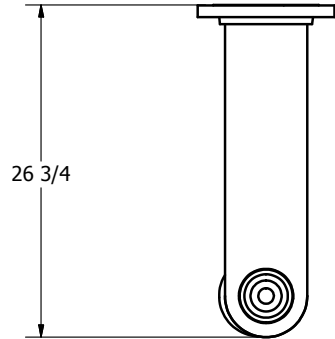
4


3

2

1

PARTS LIST			
ITEM	QTY	PART NUMBER	DESCRIPTION
1	1	11747	WELDMNT, DISCHARGE PIPE ELBOW
2	1	11751-1	PIPE, 5" SCH 40 X 53.375 LG, TOE, A53
3	1	5-FC	COUPLING, 5" NPT FULL
4	1	11605	NOZZLE, 3" NPT X 1.25" BORE



DRAWN	8/20/2010	 7519 Prairie Oak Dr Houston, TX 77086 281-893-4774 281-893-1027 FAX		
LG				
CHECKED				
QA				
MFG				
APPROVED		TITLE		
		ASSEMBLY, VAK 500 DISCHARGE PIPING		
		SIZE	DWG NO	REV
		B	A11751	
		SCALE	SHEET 1 OF 1	

4

3

2

1