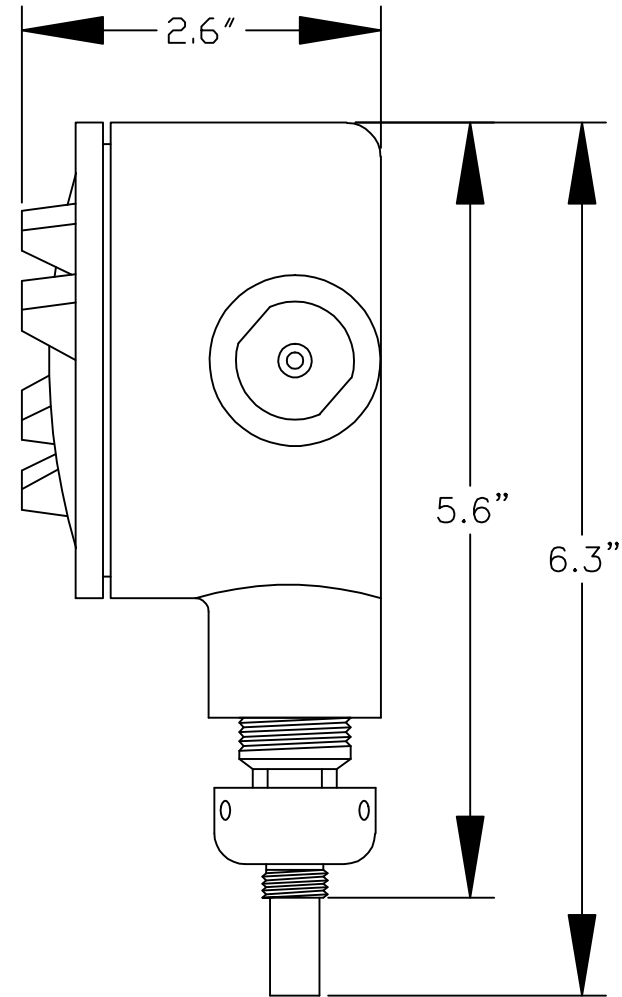
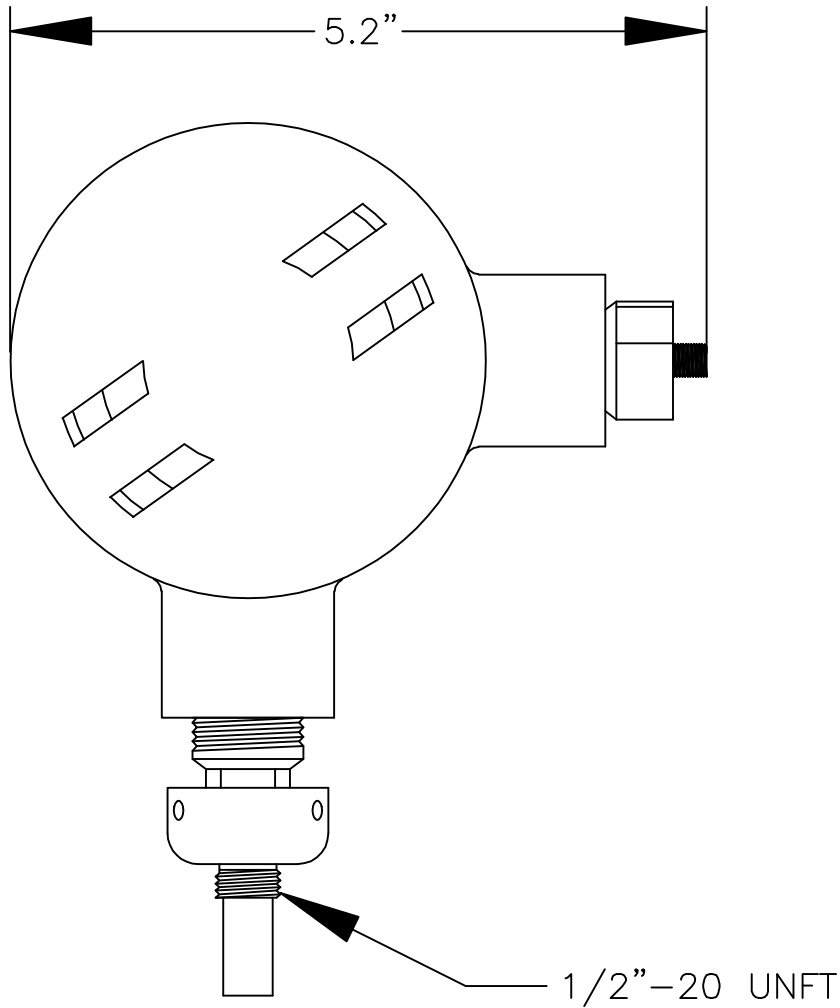



FOP-20 DIMENSIONS

| REV | DESCRIPTION | DATE | APPR. BY |
|-----|----------------------|----------|----------|
| A | INITIAL RELEASE | 08-18-93 | A.W. |
| B | UPDATED TITLE | 09-05-95 | A.W. |
| C | REVISED COMPANY LOGO | 01-06-12 | JP |



THIS PRINT, INCLUDING THE INFORMATION CONTAINED IN IT, IS THE PROPERTY OF AW-LAKE COMPANY. IT IS CONSIDERED PROPRIETARY IN NATURE AND MAY NOT BE USED OR DISCLOSED OUTSIDE OF AW-LAKE COMPANY, EXCEPT UNDER WRITTEN AGREEMENT. ANY MODIFICATIONS MADE TO OR COMMENTS WRITTEN ON THIS DRAWING BY UNAUTHORIZED PERSONNEL WILL VOID THIS DRAWING. ALL DIMENSIONS SHOWN ARE SUBJECT TO CHANGE WITHOUT NOTICE.



AW-LAKE COMPANY

A TAYLOR WOODBRIDGE COMPANY

8809 INDUSTRIAL DRIVE
 FRANKSVILLE, WI 53126
 TEL. # (262) 884-9800
 FAX. # (262) 884-9810

| | | | |
|--------------------------|-----------------------|------------------|-------------|
| TITLE: FOP-20 DIMENSIONS | | PART NUMBER: N/A | |
| DRAWING NUMBER: FOP2503 | | DATE: 09-05-95 | |
| REV: C | DRAWN BY: GUS SKIAKER | CHECKED BY: G.S. | PAGE 1 OF 1 |
| SCALE: NONE | | | |