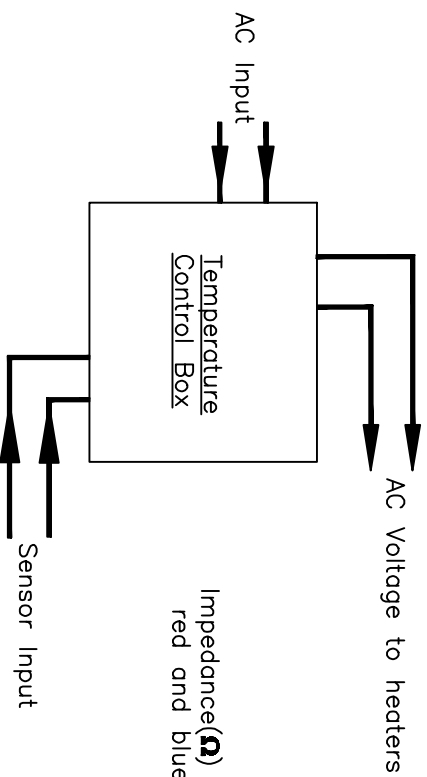


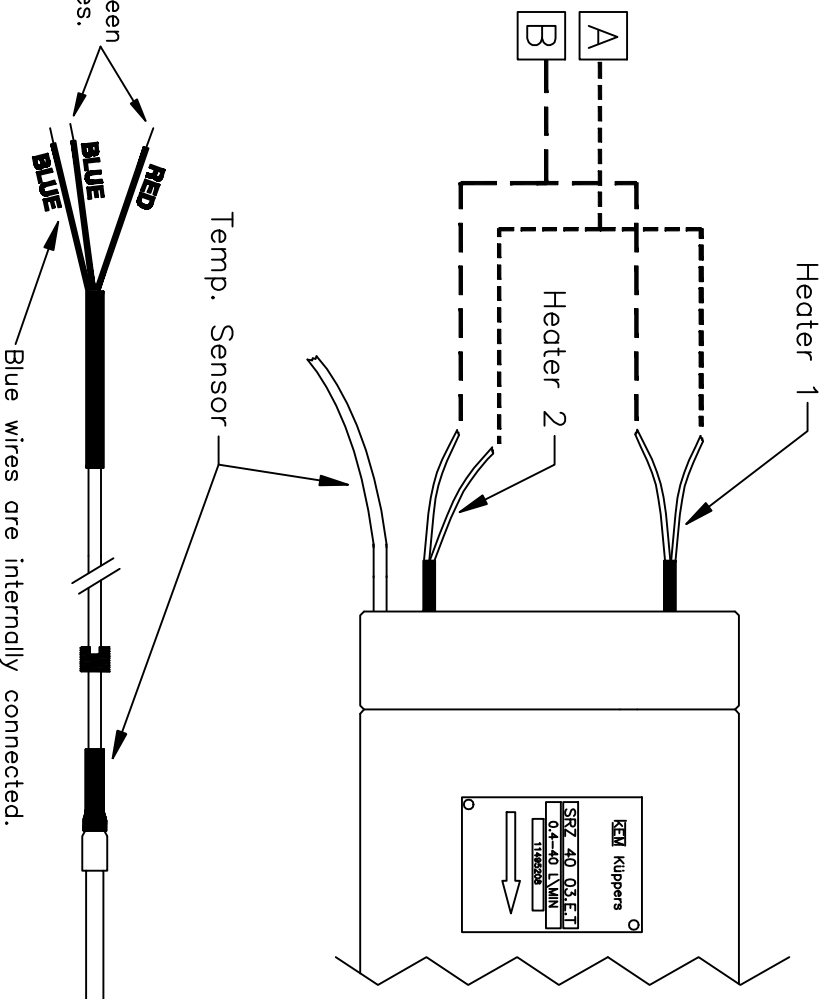
SRZ-40 w/HEATERS AND SENSOR

- A White w/Black Stripe (LIVE AC)
- B White w/Yellow Stripe (NEUTRAL AC)

1. The heater wires should be hooked up in PARALLEL with its respected AC voltage from the control box.
2. The sensor wires should be connected to the temperature control box with the two blue wires tied together. There is no polarity between the red and blue wires.



Heaters should be pushed in completely when voltage is applied.



Heater Specifications

110Volts AC = 100Watts
 220Volts AC = 200Watts

AW-LAKE COMPANY USE ONLY

THIS PRINT, INCLUDING THE INFORMATION CONTAINED IN IT, IS THE PROPERTY OF AW-LAKE COMPANY. IT IS CONSIDERED PROPRIETARY IN NATURE AND MAY NOT BE USED OR DISCLOSED OUTSIDE OF AW-LAKE COMPANY, EXCEPT UNDER PRIOR WRITTEN AGREEMENT. ANY MODIFICATIONS MADE TO OR COMMENTS WRITTEN ON THIS DRAWING BY UNAUTHORIZED PERSONNEL ARE SUBJECT TO CHANGE WITHOUT NOTICE.



6600 INDUSTRIAL DRIVE
 FRANKSVILLE, WI 53118
 TEL # (262) 584-6800
 FAX # (262) 584-6810

TITLE: SRZ-40 w/ HEATERS AND SENSOR
 DRAWING NUMBER: SRZ4501B PART NUMBER: -
 DATE: 10-29-99 REV: A DRAWN BY: SHANE WILSON
 CHECKED BY: A.W. PAGE 1 OF 1 SCALE: NONE